

All stainless steel process gauge

Model: 5008

Features

- Rugged all welded stainless steel construction
- 40mm,50mm,63 mm dial size
- Weatherproof protection IP66
- Overload protection 130 %
- Dry, liquid filled

Applications

- Filter Offshore oil rigs
- Chemical and petrochemical plants
- Machine equipment
- Food and beverage industry
- Pulp and paper
- Power plants



Specifications

• Models

40 5008/50 5008/63 5008
 open front with blow out protection

• Accuracy

Class 1.6; 1.6 % Full scale

• Dial Sizes:

40mm, 50mm, 63mm

• Ranges

Vacuum, compound, 0 to 600 bar

• Working Pressure

75 % of max. scale value

• Over Pressure Limit

130 % of max. scale value

• Process Connection

1/4 NPT or G 1/4 B
 Other on request

• Process Connection Location

Lower or lower back

• Wetted components

Tube: Stainless steel 316L (1.4404)
 Socket: Stainless steel 316L (1.4404)

• Window

Instrument glase
 Laminated safety glass
 acrylic

• Window Sealing

NBR

• Compensation

NBR

• Dial

Aluminum, black markings on white
 background

• Pointer

Black, aluminum
 Option: adjustable micrometer pointer

• Movement

Stainless steel 304

• Case

Stainless steel 304
 Option: Stainless 316L

• Bayonet Ring

Stainless steel 304

Specifications

• **Ambient Temperature**

Dry case: -40 °C to +60 °C
Glycerine: -20 °C to +60 °C
Silicone: -40 °C to +60 °C

• **Process Temperature**

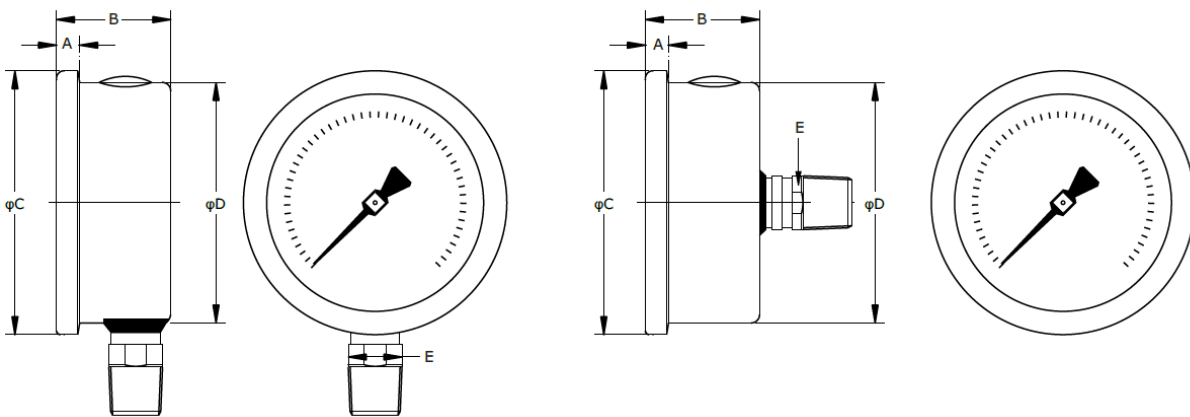
Dry case: Max 200 °C
Glycerine: -20 °C to +100 °C
Silicone: -40 °C to +100 °C

Range

Bar		Kpa		PSI	
1	-1/0	100	-100/0	15	-30 Hg/0
1.6	-1/1	160	-100/100	30	-30 Hg/15
2.5	-1/2	250	-100/200	60	-30 Hg/30
4	-1/3	400	-100/300	100	-30 Hg/60
6	-1/4	600	-100/400	160	-30 Hg/100
10	-1/5	1000	-100/500	200	-30 Hg/160
16	-1/7	1600	-100/700	300	-30 Hg/200
25	-1/9	2500	-100/900	400	-30 Hg/300
40	-1/11	4000	-100/1100	500	
60	-1/15	6000	-100/1500	600	
100	-1/24	10000	-100/2400	800	
160		16000		1000	
250		25000		1500	
400		40000		2000	
600		60000		3000	
				4000	
				5000	
				6000	
				10000	

Other range on request

General dimensions



NS	A	B	C	D	E	Weight
50	5	30	58	52	14	0.35
63	6	33	69	62	14	0.4

NS	A	B	C	D	E	Weight
50	5	30	58	52	14	0.35
63	6	33	69	62	14	0.4

All stainless steel process gauge

Model: 5008

Ordering Code		63	5008	S	D	2	B	0/1 BAR	XGR	CD5
Dial Diameter										
63	63mm	63								
50	50mm									
40	40mm									
Model										
5008	Standard case		5008							
5008P	Gas type, snaped plastic window									
Wetted Material										
S	316L			S						
A	Brass									
Case Filling										
D	No filling, dry case				D					
L	Liquid filled case									
Process Connection										
2	1/4 NPT					2				
13	G1/4									
KA	R1/4									
M14	M14×1.5									
11	G1/8									
1	1/8 NPT									
FT4	inch 1/4 Tube									
MT6	Metric 6mm Tube									
Connection Location										
L	Lower mount									
B	Center back mount						B			
LB	Lower back mount									
Range (Unit: Bar, Mpa, Kpa, Psi, kg/cm2)										
0/1 BAR	0/1 bar							0/1 BAR		
Please refer to Range Table										
Filling Liquid										
	No filling									
GR	Glycerin filled case								GR	
GV	Silicone filled case									
Options										
P09	Solid front									
FW	Wall mounting bracket									
FX	Front flange tack welded to case									
UF	U-clamp mounting									
6W	Oil and grease free (For Dry Version)									
6B	Oxygen service (For Dry Version)									
DA	Custom designed Dial									
99	Add series number on dial									
SG	Shatterproof /safety glass									
YW	ANSI 316 Ss Case & Bezel									
NH	Ss Tag Plate									
CD5	Tested To Nace Standard									CD5
C4	Five Point Calibration Certificate National/International Standards									
TU	Throttle plug									
PD	Acrylic lens									
UC	Center U-clamp mounting									