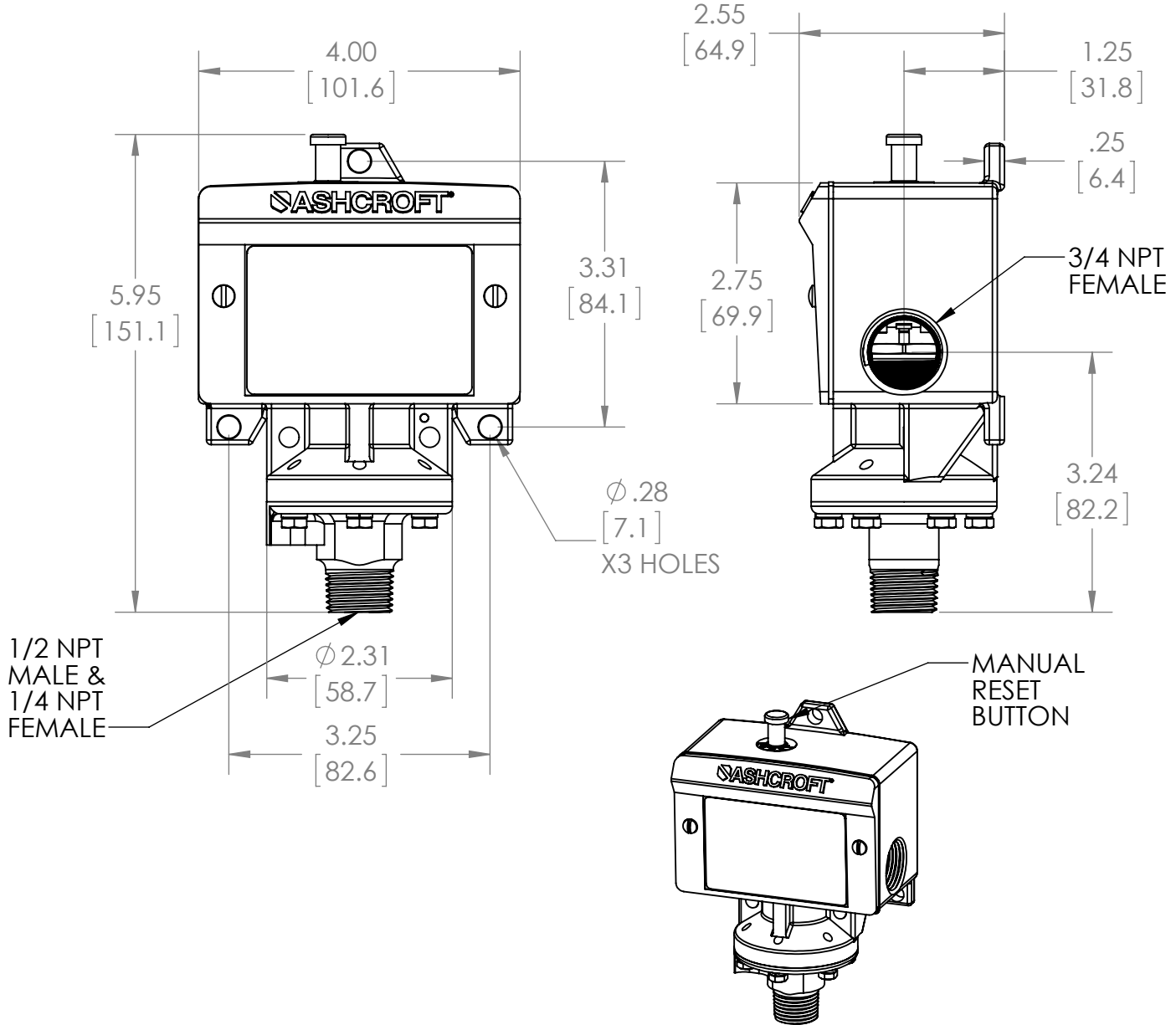


This drawing includes confidential information which is the property of ASHCROFT INC. This copy is loaned for a specific purpose, with the understanding that it will not be reproduced or used for any other purpose or disclosed to others, and it will be returned on demand.



NOTE:
 SWITCH CODE 28 IS FOR MANUAL RESET TRIP FOR INCREASING PRESSURE.
 SWITCH CODE 29 IS FOR MANUAL RESET TRIP FOR DECREASING PRESSURE.

DIMENSIONS IN [] ARE MILLIMETERS

APPLICABLE SWITCH PRODUCT CODES				
SWITCH TYPE	SWITCH ELEMENT	SEAL MATERIAL	VARIATIONS	RANGE
B4	28, 29	B, T, V	X06	VAC - 600 PSI

REV.	ECO	DESCRIPTION	BY	DATE
B	0008148	CORRECT FLANGE ORIENTATION	HOY	6/17/2015

This print certified correct for
 Customer's Name

General Dimensions
B4 PRESSURE SWITCH
 BUNA, TEFLON, VITON DIAPHRAGM MAT'L
 RANGES VAC – 600PSI - X06; MAUAL RESET

Customer's Order No.
 Ashcroft Order No.

Drawn HOY Date 4/1/15 Date of Issue
 Checked TB Date 4/1/15 SHEET-1 Rev.

Certified by Date

Approved SSH Date 4/1/15 **70A4006** **B**