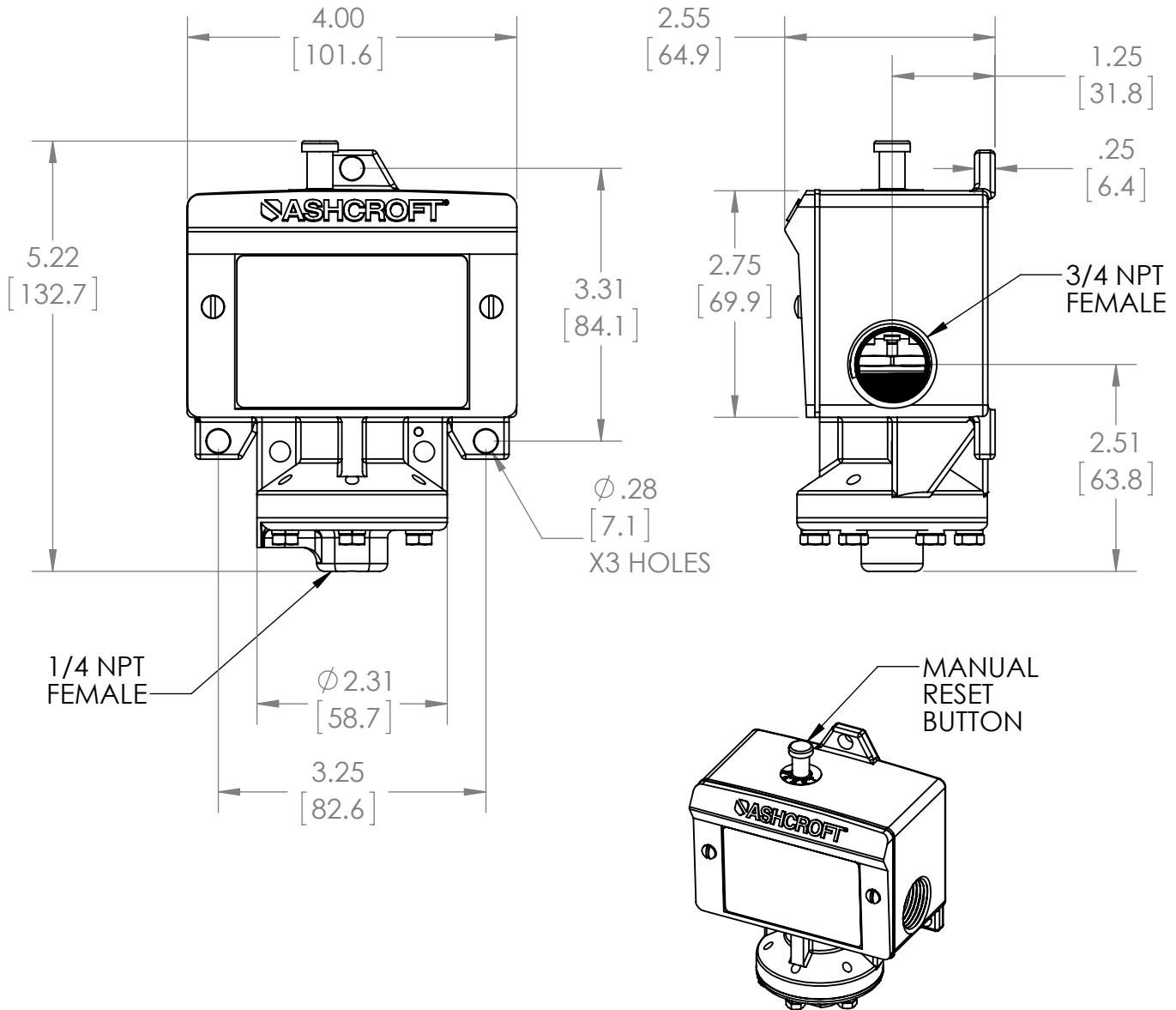


This drawing includes confidential information which is the property of ASHCROFT INC. This copy is loaned for a specific purpose, with the understanding that it will not be reproduced or used for any other purpose or disclosed to others, and it will be returned on demand.

**ASHCROFT**® INC.

250 EAST MAIN STREET  
STRATFORD, CT 06614



NOTE:  
SWITCH CODE 28 IS FOR MANUAL RESET TRIP FOR INCREASING PRESSURE.  
SWITCH CODE 29 IS FOR MANUAL RESET TRIP FOR DECREASING PRESSURE.

DIMENSIONS IN [ ] ARE MILLIMETERS

APPLICABLE SWITCH PRODUCT CODES				
SWITCH TYPE	SWITCH ELEMENT	SEAL MATERIAL	VARIATIONS	RANGE
B4	28, 29	B, T, V	-	VAC - 600 PSI

REV.	ECO	DESCRIPTION	BY	DATE
B	0008148	CORRECT FLANGE ORIENTATION	HOY	6/17/2015

This print certified correct for

Customer's Name

Customer's Order No.

Ashcroft Order No.

Certified by

Date

General Dimensions				
<b>B4 PRESSURE SWITCH</b>				
BUNA, TEFLON, VITON DIAPHRAGM MAT'L				
RANGES VAC – 600PSI;      MANUAL RESET				
Drawn	HOY	Date 4/1/15	Date of Issue	
Checked	TB	Date 4/1/15	SHEET-1	
Approved	SSH	Date 4/1/15	Rev.	
			<b>70A4005</b>	
			<b>B</b>	