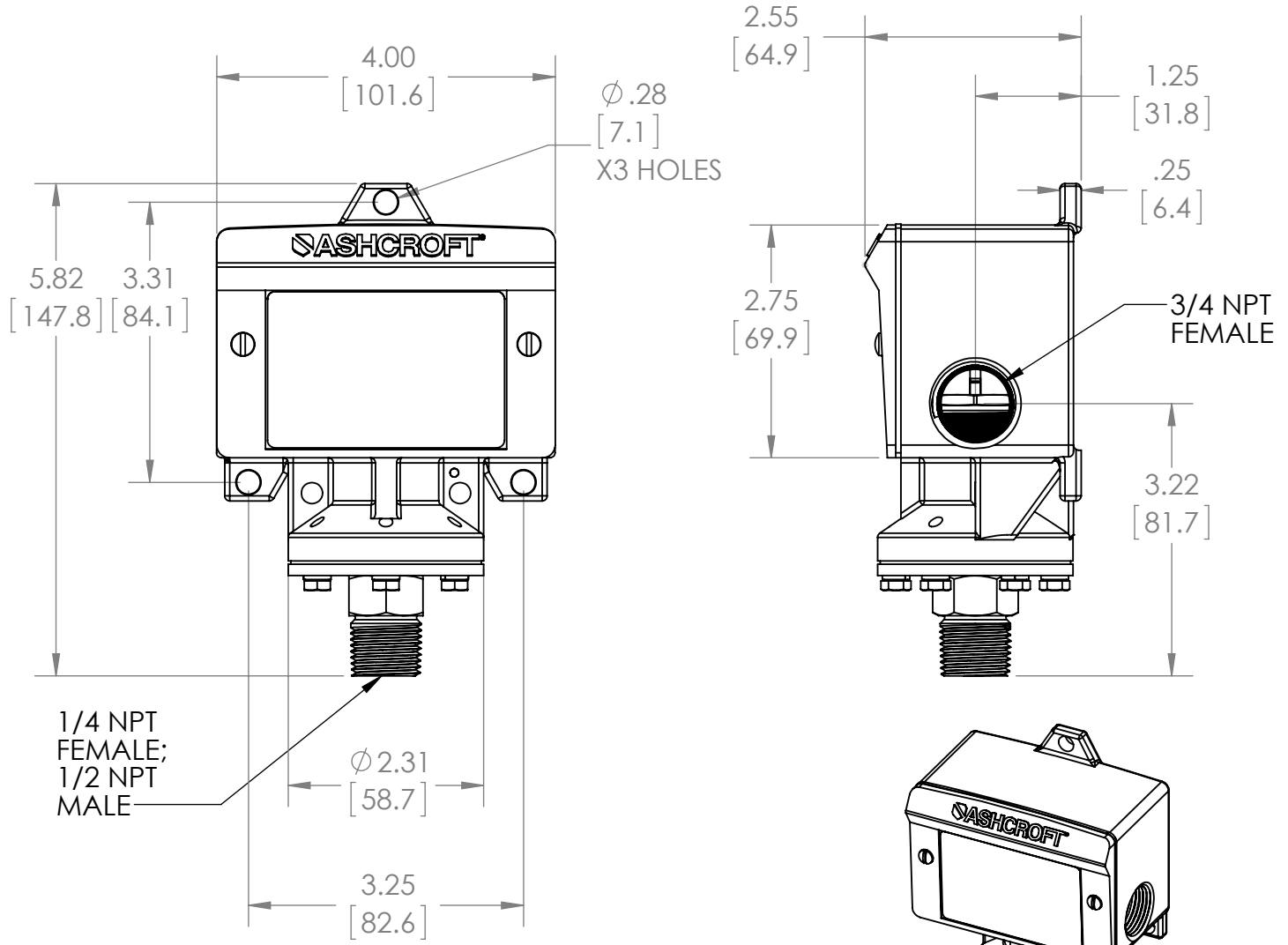


This drawing includes confidential information which is the property of ASHCROFT INC. This copy is loaned for a specific purpose, with the understanding that it will not be reproduced or used for any other purpose or disclosed to others, and it will be returned on demand.

ASHCROFT® INC.

250 EAST MAIN STREET
STRATFORD, CT 06614



NOTE:
SINGLE & DUAL ELEMENT HERMETICALLY SEALED SWITCHES ARE SUPPLIED WITH A SET OF 12" 18 GA. LEADS.

ALL OTHER DUAL ELEMENT SWITCHES ARE SUPPLIED WITH A SET OF 6" 18 GA. LEADS FOR THE REAR MOUNTED SWITCH ONLY.

DIMENSIONS IN [] ARE MILLIMETERS

APPLICABLE SWITCH PRODUCT CODES				
SWITCH TYPE	SWITCH ELEMENT	SEAL MATERIAL	VARIATIONS	RANGE
B4	-	S, P	X06	15 - 1000 PSI

REV.	ECO	DESCRIPTION	BY	DATE
B	0008209	CORRECT RANGE CALL-OUTS	HOY	7/21/2015

This print certified correct for
Customer's Name

General Dimensions
B4 PRESSURE SWITCH
STAINLESS STEEL, MONEL DIAPHRAGM MAT'L
RANGES 15 – 1000PSI - X06

Customer's Order No.
Ashcroft Order No.

Drawn HOY Date 4/1/15 Date of Issue
Checked TB Date 4/1/15 SHEET-1 Rev.

Certified by Date

Approved SSH Date 4/1/15 **70A4009** **B**