

HPX High Purity Pressure Gauge

FEATURES

- VCR[®] compatible pressure connection threads
- 316L stainless steel pressure fitting
- Anaerobic welding
- 100% Helium leak tested
- Electropolished case
- Cleanroom packaged and double bagged

TYPICAL USES

- Semiconductor
- High purity gas delivery systems
- Process gas analyzers
- Gas sticks



PERFORMANCE SPECIFICATIONS

Dial Size	40mm(1-1/2"), 50mm(2"), 63mm(2-1/2")
Accuracy	NS 40mm(1-1/2"): 3-2-3% of span, Grade B, acc. ASME B40.1 NS 50mm(2")/63mm(2-1/2"): 2-1-2% of span, Grade A, acc. ASME B40.1
Range	-0.1~0 MPa to -0.1~0.9 MPa 0~0.1 MPa to 0~40 MPa Other units are available
Dial Pattern	Black figures on white background, stop pin standard; Optional double/triple scales, custom color mark
Pointer	Black, Aluminium
Process Connection	9/16-18 UNF male or female swivel connection, compatible with 1/4VCR [®]
Connection Location	Lower mount, Back mount
Working Pressure	Steady: 3/4 F.S Fluctuating: 2/3 F.S Transient/Peak: 100% F.S
Leak Rate	1 x 10 ⁻⁹ mbar L/s Helium Mass Spectrometer Leak Testing
Wetted Parts By Grade	EP grade BA grade
Ingress Protection	IP 54 EN 60 529/IEC 529

KEY BENEFITS

- Ultraclean design & packaging
- 316L SS pressure fitting for protection against
- corrosion 100% Helium leak tested

WETTED MATERIAL

Bourdon Tube	SS316L (C Type for <10MPa; Helical Type for ≥10MPa)
Socket	SS316L

NON-WETTED MATERIAL

Case Material	SS304 or SS316L(Optional) Electropolished
Window	Polycarbonate (40mm: snap in window) 50mm/60mm: (screw-fitted on case, Twist Lock)
Movement	SS316L

MIN/MAX TEMPERATURE LIMITS

Ambient	Process	Storage
-40 ~ +60 °C	-40 ~ +100 °C	-20 ~ +50 °C

Temperature Effect: Reference temperature 20 °C

Max Error: ±0.4% F.S/10 K

HPX High Purity Pressure Gauge

ORDERING CODE	Example:	40	HPX	EP	MVS	B	V/60#	XNH
Model		40						
40 - 40mm (1-1/2")								
50 - 50mm (2")								
63 - 63mm (2-1/2")								
Gauge Type			HPX					
HPX - Ultra High Purity								
Wetted Parts By Grade								
BA - BA Grade								
EP - EP Grade				EP				
Process Connection								
MVS - Male Swivel 9/16 - 18 UNF (compatible with 1/4 VCR®)					MVS			
FVS - Female Swivel 9/16 -18 UNF(compatible with 1/4 VCR®)								
MNF - 1/4NPTM (Only available for BA grade)								
Connection Location								
L - Lower mount								
B - Back mount						B		
Range								
V/60#							V/60#	
Options (If indicating an option must include an "X" (-X...))								
NH - Tag plate								XNH
C4 - Calibration report								
DA - Special dial pattern								

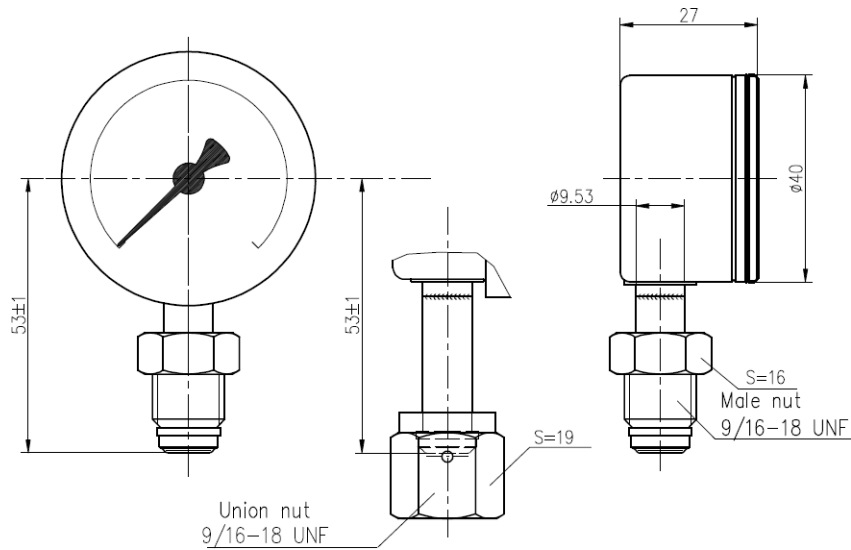
HPX High Purity Pressure Gauge

RANGE TABLE			
psi	bar	KPa	MPa
V/15#	N1/1BR	N100/100KP	NP1/P1MP
V/30#	N1/2BR	N100/200KP	NP1/P2MP
V/45#	N1/3BR	N100/300KP	NP1/P3MP
V/60#	N1/4BR	N100/400KP	NP1/P4MP
V/100#	N1/6BR	N100/600KP	NP1/P6MP
V/150#	N1/10BR	N100/1000KP	NP1/1MP
V/200#	N1/15BR	N100/1500KP	NP1/1P5MP
V/300#	N1/20BR	N100/2000KP	NP1/2MP
60#	4BR	400KP	0P4MP
100#	6BR	600KP	0P6MP
150#	10BR	1000KP	1MP
200#	16BR	1600KP	1P6MP
300#	25BR	2500KP	2P5MP
500#	40BR	4000KP	4MP
600#	60BR	6000KP	6MP
1000#	70BR	7000KP	7MP
1500#	100BR	10000KP	10MP
2000#	160BR	16000KP	16MP
3000#	250BR	25000KP	25MP

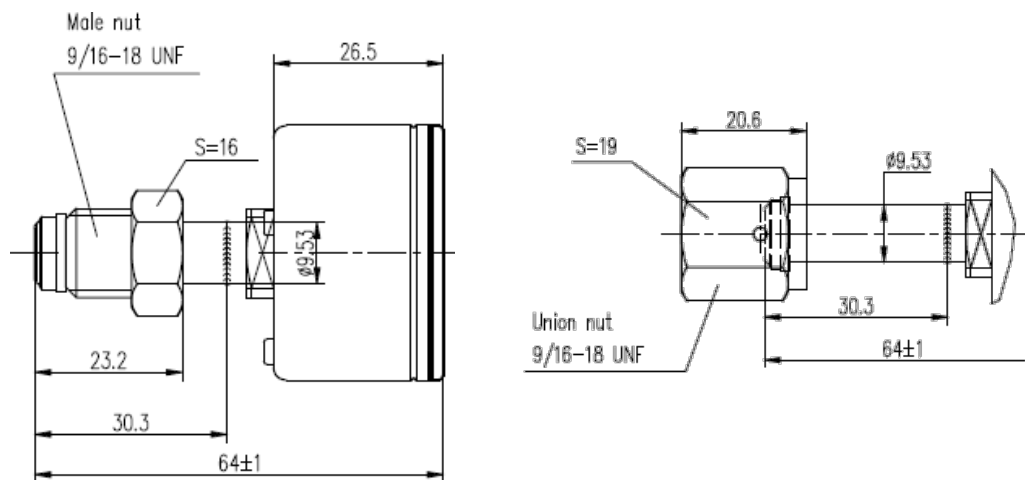
HPX High Purity Pressure Gauge

DIMENSIONS [mm]

40 mm lower mount



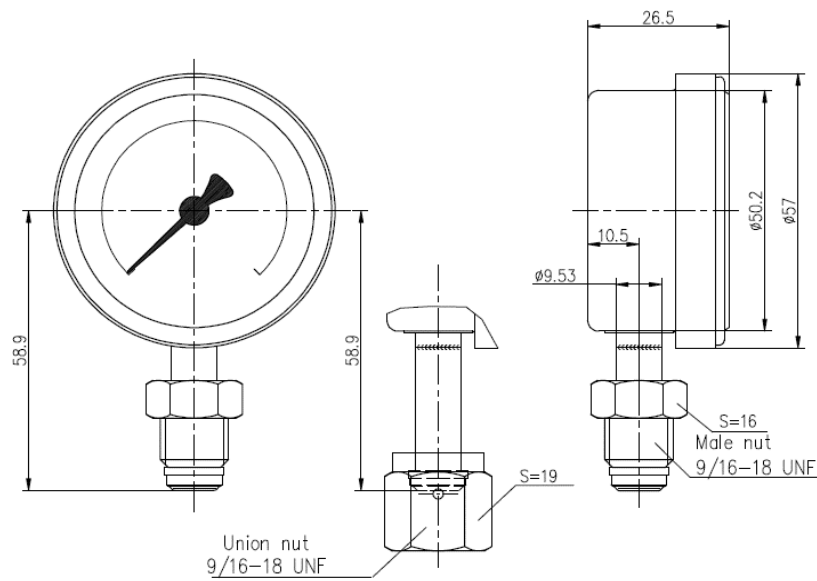
40 mm back mount



HPX High Purity Pressure Gauge

DIMENSIONS [mm]

50 mm lower mount



50 mm back mount

