

Data Sheet

SB Subsea Pressure Gauge

FEATURES

- Depths to 6000 meters
- All-Stainless steel design
- Meets RvA calibration standards

TYPICAL USES

- Offshore drilling
- Hyperbaric conditions
- Specialized deep depth



SB Gauge
100 mm dial size



SPECIFICATIONS

Accuracy:	±1.0% of span (100, 140, 160 mm) ±1.6% of span (63 mm)
Case Size:	63, 100, 140, 160 mm
Range:	15 psi to 20,000 psi (63 mm) 90 psi to 20,000 psi (100, 140, 160 mm)
Process Connection Location:	Lower, back
Process Connection:	NPT or BSP: ¼" (63 mm), ½" (100, 140, 160 mm)
Case Style:	Open front (Solid drilled bar stock)
Window Thickness:	63 mm dial size: 15 mm (1200 meter) 20 mm (2000 meter) 100 mm dial size: 20 mm 160 mm dial size: 40 mm
Movement:	304 Stainless steel
Dial:	Aluminum, white background, black scale
Pointer:	Black, aluminum
Weather Protection:	IP68
Mounting:	Direct, panel or surface
Operating Temperature:	40 °F to 120 °F (4 °C to 50 °C)
Approvals:	CE/UKCA

KEY BENEFITS

- Provides measurement in extreme undersea depths
- Corrosion resistant construction

NON-WETTED COMPONENTS

Case	316L Stainless steel
Screwed Bezel Ring	316L Stainless steel

WETTED COMPONENTS

Bourdon Tube	316L Stainless steel
Pressure Connection	316L Stainless steel

Data Sheet

SB Subsea Pressure Gauge

ORDERING CODE	Example:	63SB	B	S	D	02	L	160#	-XDA
Case Size/Model Code									
63SB - SB Subsea Gauge, 63 mm		63SB							
10SB - SB Subsea Gauge, 100 mm									
14SB - SB Subsea Gauge, 140 mm									
16SB - SB Subsea Gauge, 160 mm									
Depth (≤)									
A - 1200 Meters (63 mm Size)									
B - 2000 Meters (63 mm Size)			B						
C - 900 Meters (100 mm Size)									
F - 4000 Meters (100 mm Size)									
D - 450 Meters (160 mm Size)									
G - 6000 Meters (140 mm Size)									
System Tube									
S - 316L Tube & process connection				S					
Fill Fluid									
D - Dry (available for pressures ≤ 160 psi, N/A with depth selections F and G)					D				
G - Glycerin									
S - Silicone									
Process Connection Sizes									
02 - ¼ NPT Male (63 mm Size)						02			
04 - ½ NPT Male									
14 - ¼ BSP Male (63 mm Size)									
15 - ½ BSP Male									
Process Connection Location									
L - Lower							L		
B - Back									
Pressure Range (coding example only, see range table on page 3 for standard ranges)									
160# - 160 psi								160#	
Options (If choosing an option(s) must include a "X")									
FF - Front flange (lower and back connection)									X
FW - Back flange (lower connection only, N/A with depth selections F and G)									
NH - Stainless steel tag wired to case									
DA - Dial marking - text marking on dial									DA
BD - Black dial / white pointer									
YD - Yellow dial / black pointer									

SB Subsea Pressure Gauge
STANDARD PRESSURE RANGES

	psi	bar	kPa	kg/cm ²
Vacuum	15#	N1BR	N100KP	1KG
	-	N1/0.6BR	N100/60KP	1.6KG
Compound	30#	-	-	-
	-	2.5BR	250KP	2.5KG
	60#	4BR	400KP	4KG
	-	6BR	600KP	6KG
	100#	-	-	-
	-	10BR	1000KP	10KG
	160#	-	-	-
	200#	-	-	-
	-	16BR	1600KP	16KG
	300#	-	-	-
	-	25BR	2500KP	25KG
	400#	-	-	-
	500#	-	-	-
	600#	40BR	4000KP	40KG
	800#	-	-	-
	-	60BR	6000KP	60KG
Positive Pressure	1000#	-	-	-
	1500#	100BR	10000KP	100KG
	2000#	-	-	-
	-	160BR	16000KP	160KG
	3000#	-	-	-
	-	250BR	25000KP	250KG
	4000#	-	-	-
	5000#	-	-	-
	6000#	400BR	40000KP	400KG
	8000#	-	-	-
	-	600BR	60000KP	600KG
	10000#	-	-	-
	15000#	1000BR	100000KP	1000KG
	20000#	-	-	-
-	1600BR	-	1600KG	

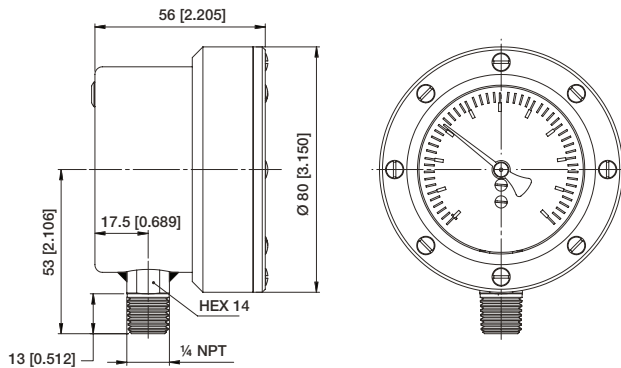
NOTE: 15000 psi maximum pressure range for 63 mm size
 90 psi minimum range for 100, 140, 160 mm size

SB Subsea Pressure Gauge

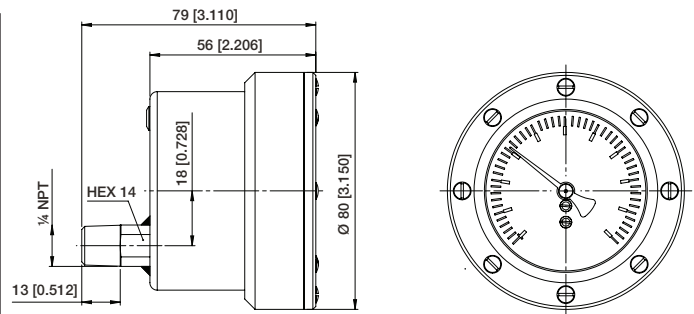
DIMENSIONS mm [in]

For reference only, consult Ashcroft for specific dimensional drawings

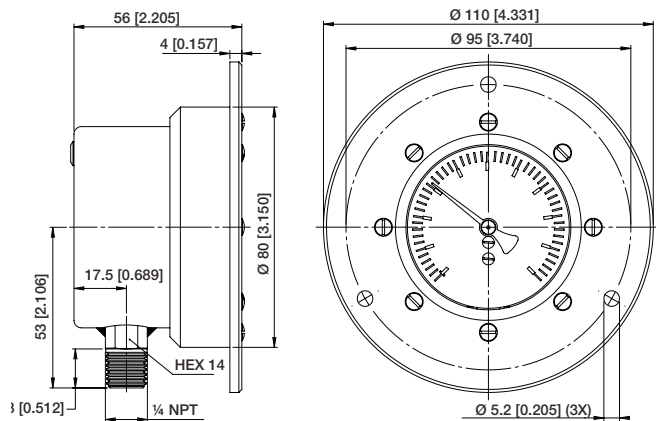
63 mm SB Lower Connect, 1200 Meter



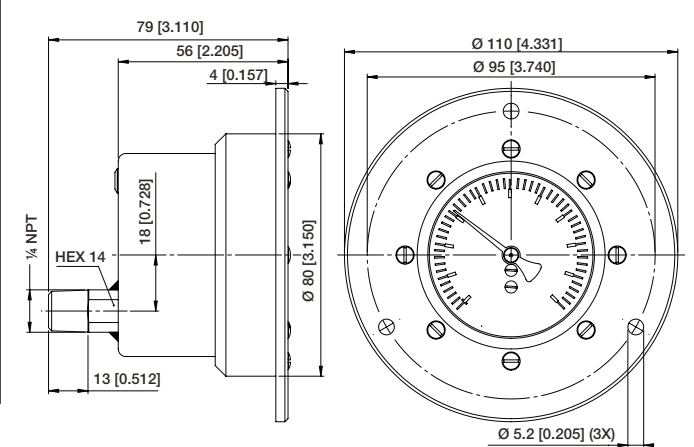
63 mm SB Back Connect, 1200 Meter



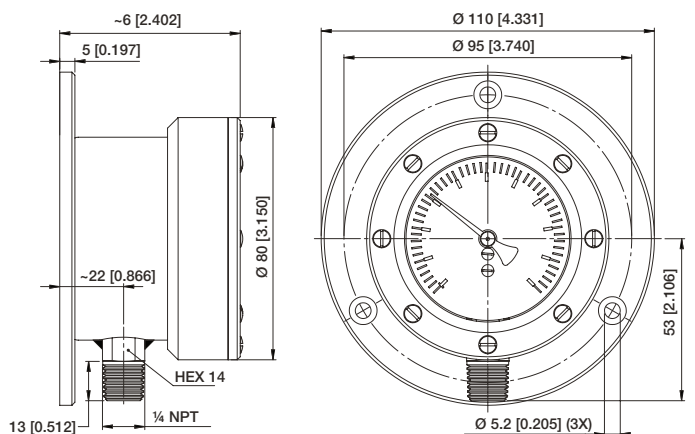
63 mm SB Lower Connect (XFF), 1200 Meter



63 mm SB Back Connect (XFF), 1200 Meter



63 mm SB Lower Connect (XFW), 1200 Meter



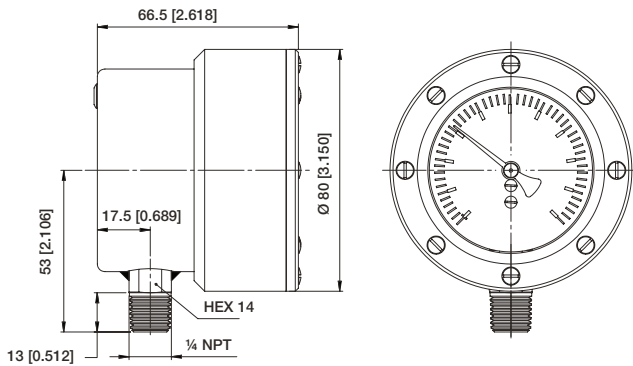
Data Sheet

SB Subsea Pressure Gauge

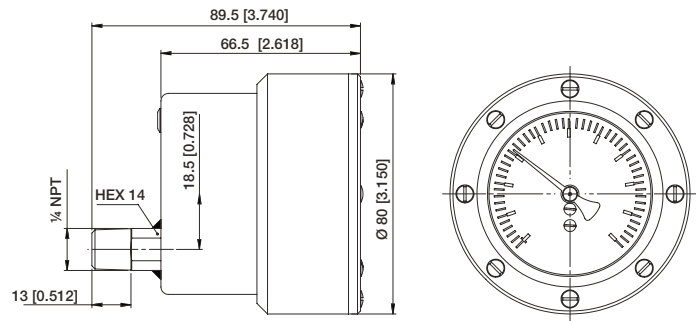
DIMENSIONS mm [in]

For reference only, consult Ashcroft for specific dimensional drawings

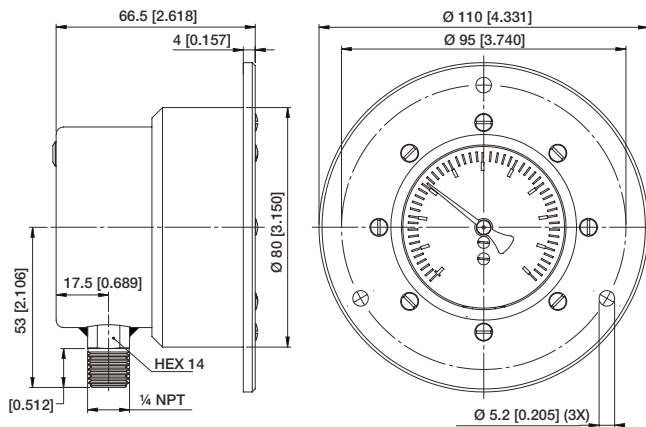
63 mm SB Lower Connect, 2000 Meter



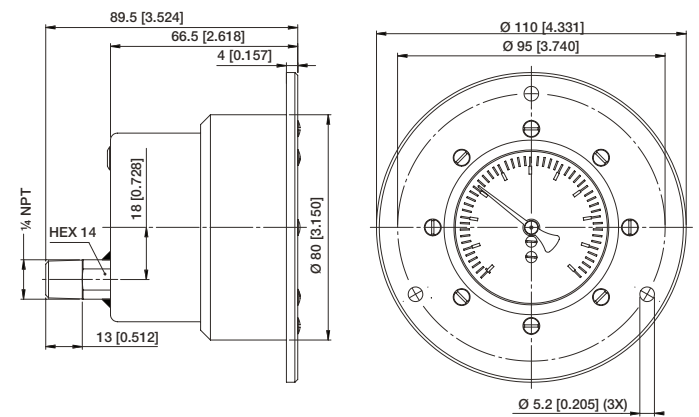
63 mm SB Back Connect, 2000 Meter



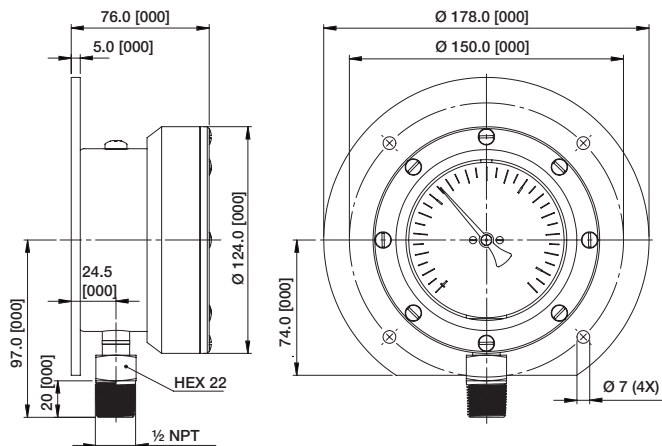
63 mm SB Lower Connect (XFF), 2000 Meter



63 mm SB Back Connect (XFF), 2000 Meter



63 mm SB Lower Connect (XFW), 2000 Meter

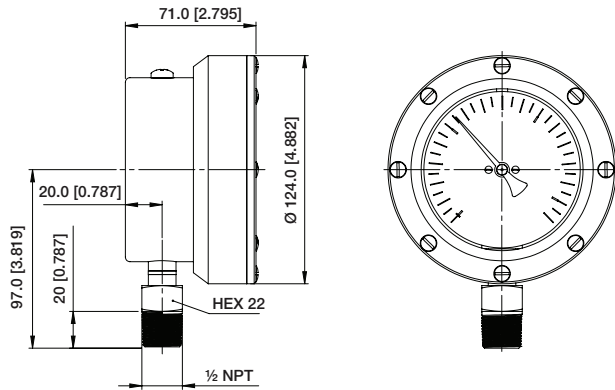


SB Subsea Pressure Gauge

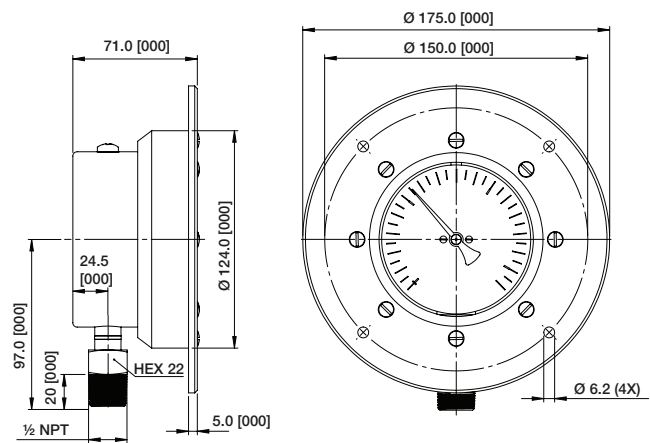
DIMENSIONS mm [in]

For reference only, consult Ashcroft for specific dimensional drawings

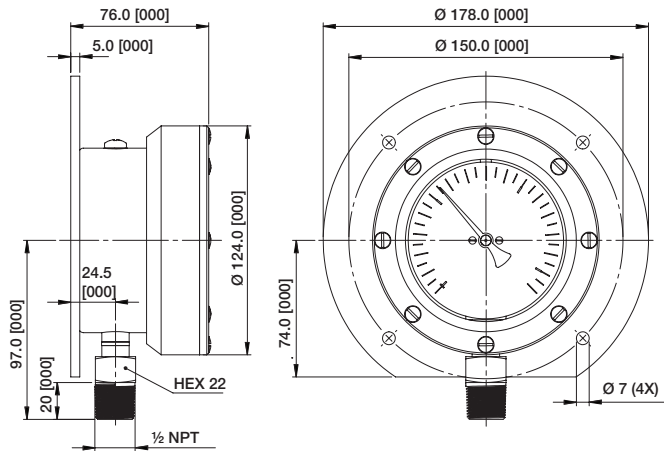
100 mm SB Lower Connect, 900 meters



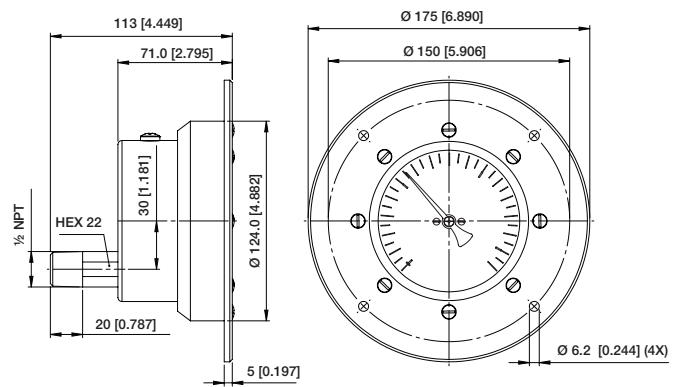
100 mm SB Lower Connect, (XFF) 900 meters



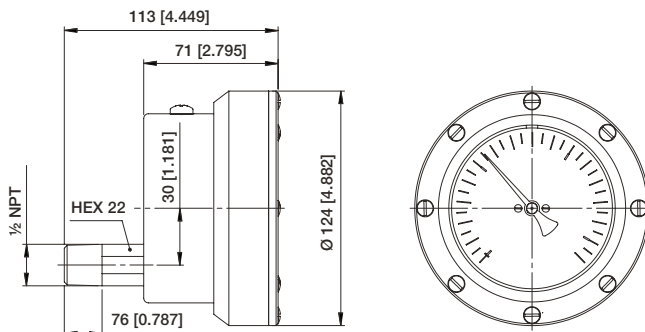
100 mm SB Lower Connect, (XFW) 900 meters



100 mm SB Back Connect, (XFF) 900 meters



100 mm SB Back Connect, 900 meters

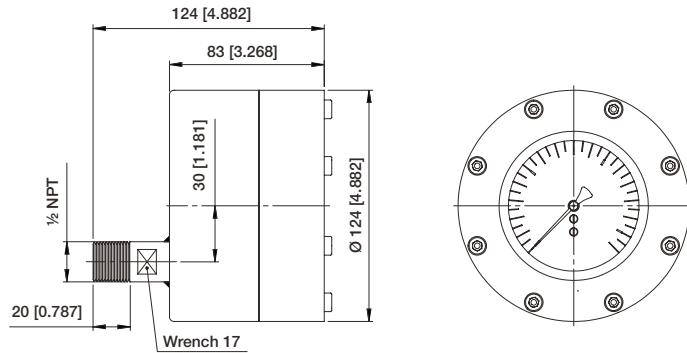


SB Subsea Pressure Gauge

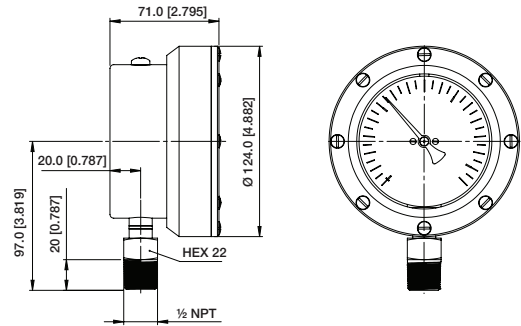
DIMENSIONS mm [in]

For reference only, consult Ashcroft for specific dimensional drawings

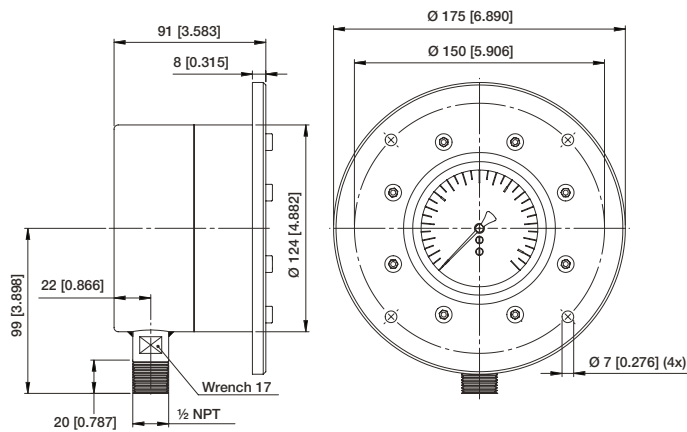
100 mm SB Back Connect, 4000 meters



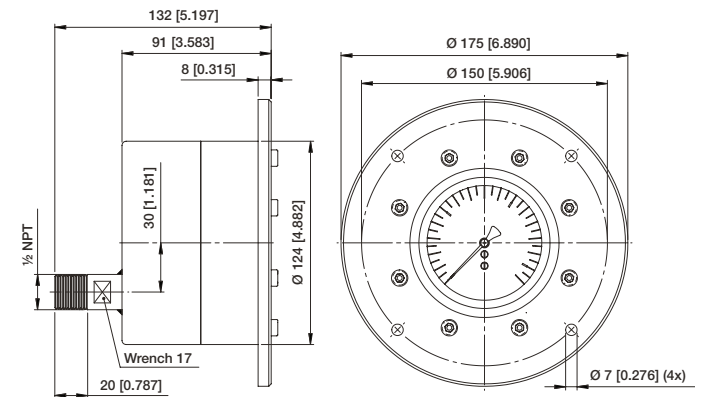
100 mm SB Lower Connect, 4000 meters



100 mm SB Lower Connect, (XFF) 4000 meters



100 mm SB Back Connect, (XFF) 4000 meters

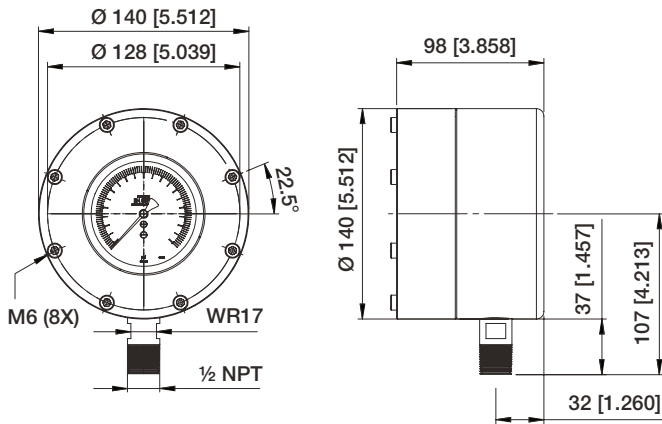


SB Subsea Pressure Gauge

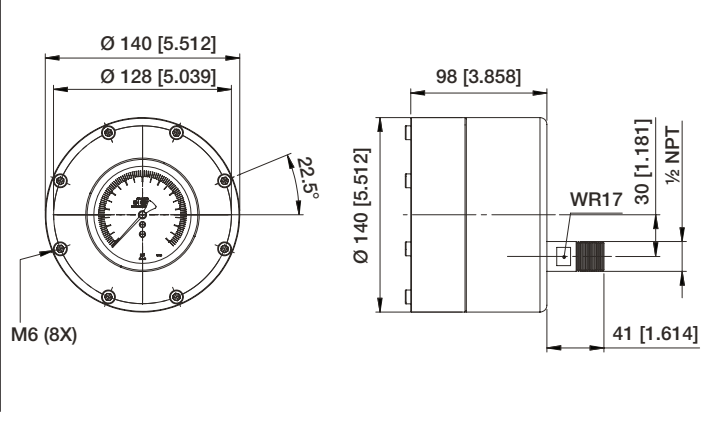
DIMENSIONS mm [in]

For reference only, consult Ashcroft for specific dimensional drawings

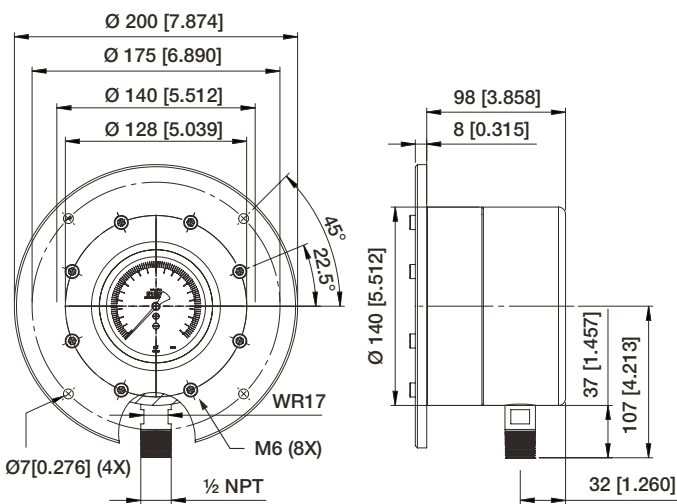
140 mm SB Lower Connect, 6000 meters



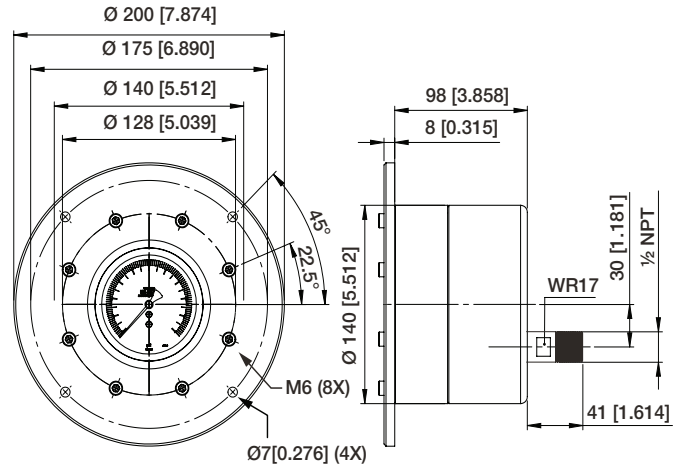
140 mm SB Back Connect 6000 meters



140 mm SB Lower Connect (XFF), 6000 meters



140 mm SB Back Connect (XFF), 6000 meters



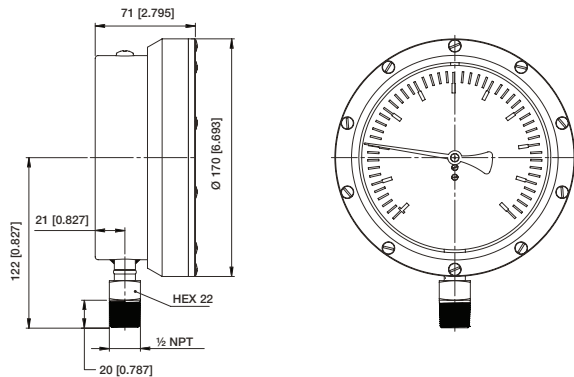
Data Sheet

SB Subsea Pressure Gauge

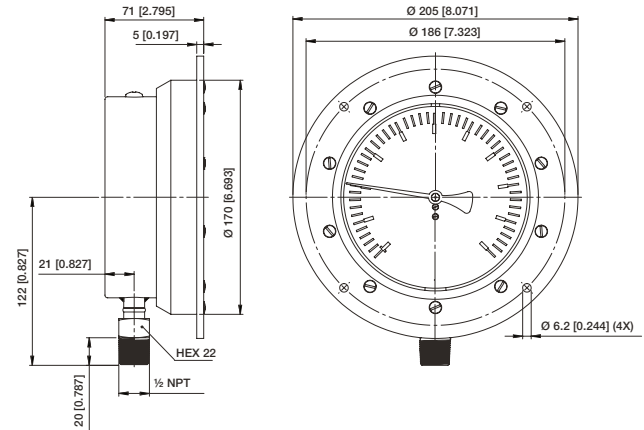
DIMENSIONS mm [in]

For reference only, consult Ashcroft for specific dimensional drawings

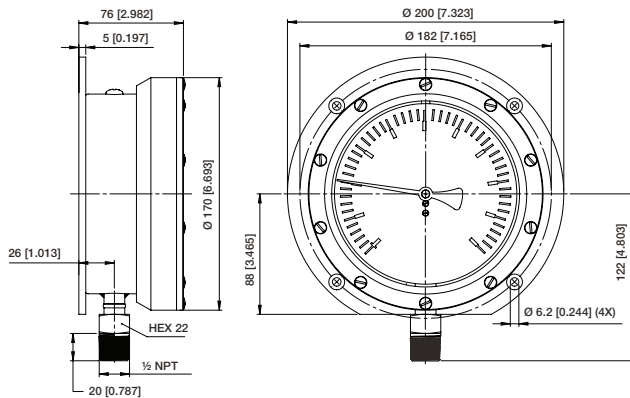
160 mm SB Lower Connect, 450 meters



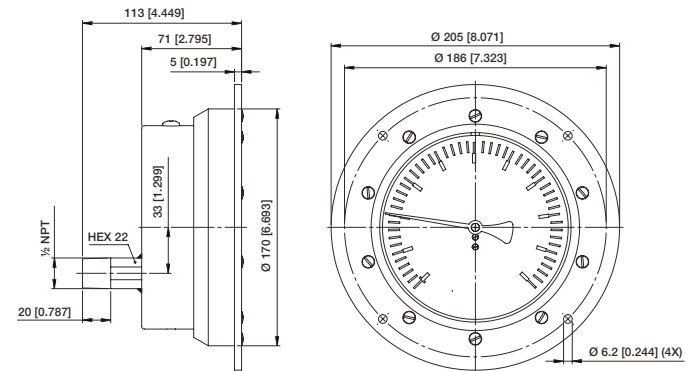
160 mm SB Lower Connect (XFF), 450 meters



160 mm SB Lower Connect (XFW), 450 meters



160 mm SB Back Connect (XFF), 450 meters



160 mm SB Back Connect, 450 meters

