

Data Sheet

SC Subsea Pressure Gauge

FEATURES

- Depths to 2500 meters
- 100% Glycerin filled
- Compensated case design
- All-Stainless steel design
- Meets RvA calibration standards

TYPICAL USES

- Offshore drilling
- Hyperbaric conditions
- Specialized deep depth



SC
100 mm dial size



SPECIFICATIONS

Accuracy:	±1.0% of span
Case Size:	100 mm
Range:	15 psi to 20,000 psi
Process Connection Location:	Lower, back
Process Connection:	½ NPT or BSP
Case Style:	Open front
Fill Fluid	100% Glycerin filled
Window Thickness:	4 mm
Movement:	304 Stainless steel
Dial:	Aluminum, white background, black markings
Pointer:	Black, aluminum
Ring:	Bayonet lock
Weather Protection:	IP68 (water depth)
Mounting:	Direct, panel or surface
Operating Temperature:	40 °F to 120 °F (4 °C to 50 °C)
Approvals:	CE/UKCA

NON-WETTED COMPONENTS

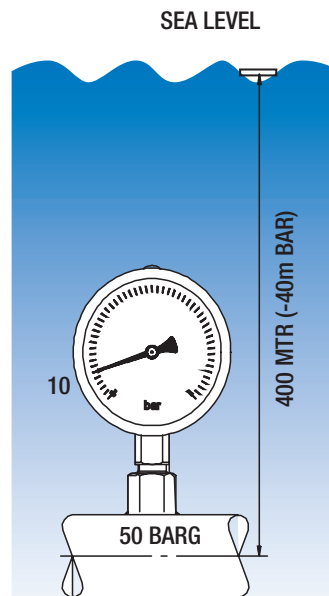
Case	316L Stainless steel
Screwed Bezel Ring	316L Stainless steel

WETTED COMPONENTS

Bourdon Tube	316L Stainless steel
Pressure Connection	316L Stainless steel

KEY BENEFITS

- Economical design for subsea applications
- Provides pressure measurement to extreme depths
- Corrosion resistant construction



Compensated Case Design:

The economical model SC is 100% glycerin filled with an integral compensation device. Its design provides a means of equalizing internal case pressure with that of the external ambient pressure when the gauge is submerged to the desired depth (<2500 meters). This allows the gauge to operate without requiring a costly enclosure that relies solely upon case/window strength to withstand external subsea pressure. The compensated gauge indicates pressure by comparing the measured pressure source to the local ambient pressure.

Data Sheet

SC Subsea Pressure Gauge

ORDERING CODE	Example:	10SC	E	S	G	04	L	160#	-XDA
Case Size/Model Code		10SC							
10SC - SC Subsea Gauge, 100 mm		10SC							
Depth (≤)									
E - 2500 Meters (100 mm size)			E						
System Tube									
S - 316L Stainless steel (tube & process connection)				S					
Fill Fluid									
G - Glycerin					G				
Process Connection Sizes									
04 - ½ NPT Male						04			
15 - ½ BSP Male									
Process Connection Location									
L - Lower							L		
B - Back									
Pressure Range (coding example only, see range table on page 3 for standard ranges)									
160# - 160 psi								160#	
Options (If choosing an option(s) must include a "X")									X
FF - Front flange (lower and back connection)									
FW - Back flange (lower connection only)									
NH - Stainless steel tag wired to case									
DA - Dial marking - text marking on dial									DA
BD - Black dial / white pointer									
YD - Yellow dial / black pointer									
CD-1 - Certificate of conformance to specifications and/or drawings (standard)									
CD-1A - Certificate of conformance to specifications and/or drawings (non-standard) cost per list/order									

SC Subsea Pressure Gauge
STANDARD PRESSURE RANGES

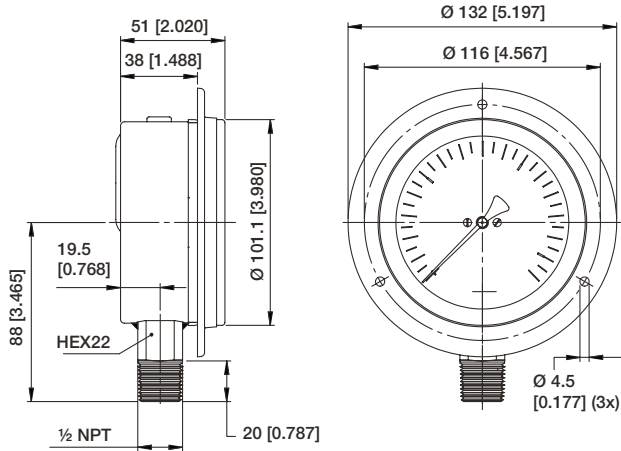
	psi	bar	kPa	kg/cm ²
Vacuum	15#	N1BR	N100KP	1KG
	-	N1/0.6BR	N100/60KP	1.6KG
Compound	30#	-	-	-
	-	2.5BR	250KP	2.5KG
	60#	4BR	400KP	4KG
	-	6BR	600KP	6KG
	100#	-	-	-
	-	10BR	1000KP	10KG
	160#	-	-	-
	200#	-	-	-
	-	16BR	1600KP	16KG
	300#	-	-	-
Positive Pressure	-	25BR	2500KP	25KG
	400#	-	-	-
	500#	-	-	-
	600#	40BR	4000KP	40KG
	800#	-	-	-
	-	60BR	6000KP	60KG
	1000#	-	-	-
	1500#	100BR	10000KP	100KG
	2000#	-	-	-
	-	160BR	16000KP	160KG
	3000#	-	-	-
	-	250BR	25000KP	250KG
	4000#	-	-	-
	5000#	-	-	-
	6000#	400BR	40000KP	400KG
	8000#	-	-	-
-	600BR	60000KP	600KG	
10000#	-	-	-	
15000#	1000BR	100000KP	1000KG	
20000#	-	-	-	
-	1600BR	-	1600KG	

SC Subsea Pressure Gauge

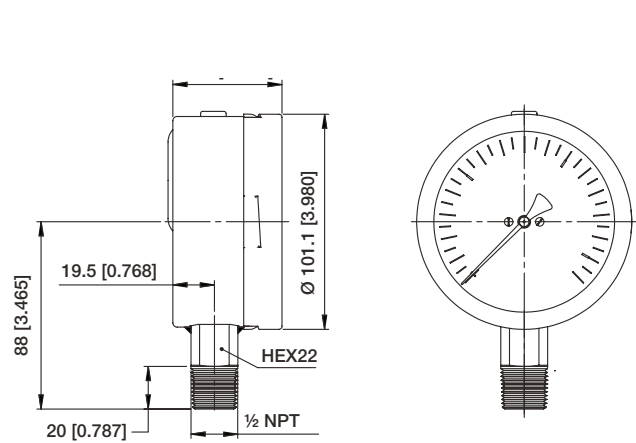
DIMENSIONS mm [in]

For reference only, consult Ashcroft for specific dimensional drawings

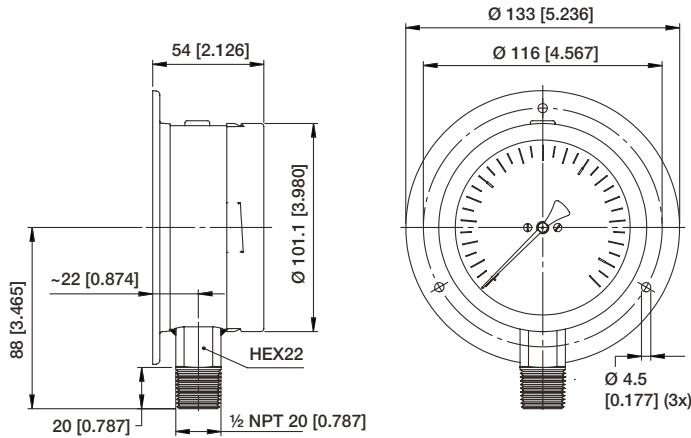
100 mm SC Lower Connect (XFF), 2500 meters



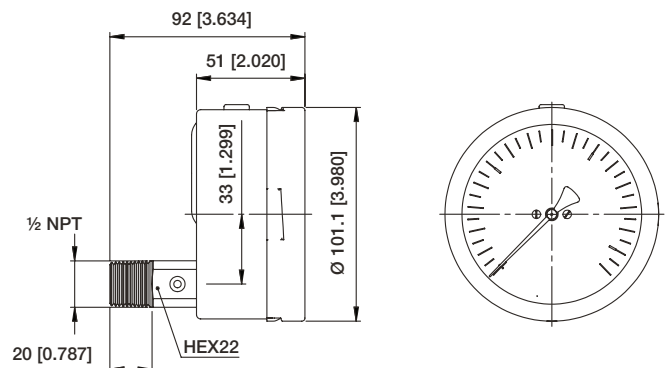
100 mm SC Lower Connect, 2500 meters



100 mm SC Lower Connect (XFW), 2500 meters



100 mm SC Back Connect, 2500 meters



100 mm SC Back Connect (XFW), 2500 meters

