

## Data Sheet

# 1036 In-Line Sanitary Pressure Gauge, 1037 Sanitary Instrument Fitting

### FEATURES: 1036

- Clean-in-Place (CIP) or Steam-in-Place (SIP)
- Autoclave or sterilize with polysulfone window
- Easy Zero™ provides external adjustability of instrument span
- Material certificates and certificate of conformance supplied as standard to EN 10204:2004 3.1

### FEATURES: 1037

- Tri-Clamp® connections
- Pipe size; ½" to 2" mates with type 1036 Inline Sanitary Gauge
- Electropolished 316L Stainless steel wetted material, 12-20 RA internal surface finish

### TYPICAL USES

- Specialized OEM equipment
- Food and dairy
- Pharmaceutical
- Biotech
- Medical equipment
- Filtration

### SPECIFICATIONS

Accuracy (of span):	Dry	Liquid Fill and XLL	
	Compound & ranges to 100 psi	±2%	±2.5%
	Pressures over 100 psi	±1.5%	±2%
Dial Size:	3½"		
Ranges:	Vacuum, Compound 15 to 1,000 psi		
Fill:	Glycerin (USP foodgrade), Halocarbon®, mineral oil, food grade silicon		
Process Connection Location:	Lower		
Process Connection:	1½" Tri-Clamp®		
Pointer:	Black aluminum		
Clean or Steam in Place CIP or SIP):	Temperature limit of 200 °F (138 °C)		
Case Style:	Open front		
Window Material:	Polycarbonate, safety glass or polysulfone		
Movement:	300 Stainless steel		
Weather Protection:	NEMA 4X. IP65 (plug closed), IP64 (plug vented)		
Diaphragm O-Ring:	Buna-N, Viton™ or EPDM		
Movement:	300 Stainless steel		
Autoclave or Sterilize:	Temperature limit of 300 °F (149 °C) when supplied with polysulfone window (option PS,dry gauge only)		
Dampening:	Liquid fill or <b>PLUS!</b> ™ Performance (design is not recommended for gauges expected to be exposed to temperatures over 200 °F (93 °C). This includes gauges subject to autoclaving.		
Approvals:	1036: 3A compliant to sanitary standard 74		



### KEY BENEFITS

- Instrument fitting virtually eliminates process dead-leg
- Retrofits other manufacturer's CPM design
- True Zero™ reduces reading errors by using a "zero box" instead of conventional pins
- Heat lot traceable material certifications

### WETTED COMPONENTS

Diaphragm:	316L Stainless steel, electropolished
Seal Housing:	316L Stainless steel, electropolished
Joints:	Welded

### NON-WETTED COMPONENTS

Model	Case	Ring
1036	304 Stainless steel, polished	300 Stainless steel, polished, bayonet, removable

## Data Sheet

### 1036 In-Line Sanitary Pressure Gauge, 1037 Sanitary Instrument Fitting

ORDERING CODE: 1036	Example:	351036	S	L	15	L	-XC4	100#
<b>Dial Size/Model</b>								
351036 - 3½"		351036						
<b>System</b>								
S - 316L Stainless steel tube and process connection			S					
<b>Case Fill</b>								
Blank - Dry gauge								
L - Liquid filled, glycerin				L				
<b>Process Connection</b>								
15 - 1½" Tri-Clamp®					15			
<b>Process Connection Location</b>								
L - Lower						L		
<b>Options (If choosing an option(s) must include an "X")</b>							-X__	
C4 - <a href="#">Traceable calibration certificate</a>							C4	
CF - Halocarbon® system fill								
CZ - Food grade silicone system fill								
EM - EPDM O-Ring								
FJ - Distilled water system fill								
GX - Halocarbon® case fill								
LL - <b>PLUS!</b> ™ Performance								
MO - Mineral oil case fill								
MY - Mineral oil system fill								
MQ - Positive material identification (PMI) (diaphragm and top housing only)								
NZ - <b>PLUS!</b> ™ Performance silicone free								
ZF - Food grade silicone case fill								
NH - Stainless steel tag wired to case								
NM - Neobee® M-20 System fill								
PS - Polysulfone Window (Autoclave or Sterilize)								
SG - Safety Glass								
VD - Viton™ O-Ring								
6B - Cleaned for gaseous oxygen service (required Halocarbon® or distilled water case and sytem fill)								
6W - Cleaned for gases other than oxygen								
<b>Range (Coding examples only, see range table on page 3 for all standard ranges)</b>								
30 IMV - 30 IMV								
100# - 100 psi								100#
1000# - 1,000 psi (range required high pressure type clamp, not supplied by Ashcroft)								

\*Tri-Clamps® are not included.

#### ORDERING CODE: 1037 PRESSURE FITTING

##### Pipe Size/Part Number

½" - 292C139-01

¾" - 292C139-02

1" - 292C139-03

1½" - 292C139-04

2" - 292C139-05

All specifications are subject to change without notice. All sales subject to standard terms and conditions.

Ashcroft®, Easy Zero™, Plus!™, True Zero™, Trust the Shield® are trademarks of Ashcroft Inc.

The following non-Ashcroft trademarks are the property of their respective owners: Halocarbon®, Neobee® M-20,

Tri-Clamp®, Teflon™, Viton™. For more information, see [Ashcroft Brands & Trademarks](#)

©2023 Ashcroft Inc. 1036\_1037\_gauge\_ds\_RevD\_04-07-23

# Data Sheet

## 1036 In-Line Sanitary Pressure Gauge, 1037 Sanitary Instrument Fitting

### Standard Range Codes - Single Scale

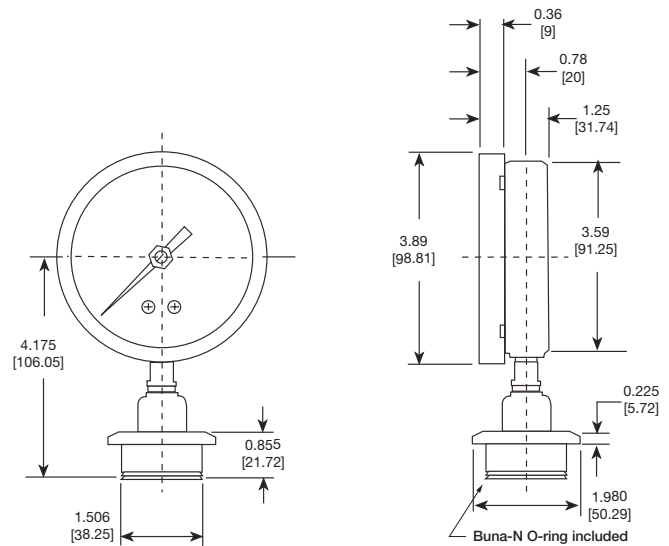
Vacuum	psi	bar	kPa	kg/cm <sup>2</sup>	Dual Scale psi Outer Scale
30IMV	-1BR	100KP	-1KSC	30IMV	
30IMV&15#	-	-	-	-	
-	-1&1.5BR	-100&150KP	-1&1.5KSC	30IMV&20#	
30IMV&30#	-	-	-	-	
-	-1&3BR	-100&300KP	-1&3KSC	30IMV&40#	
30IMV&60#	-	-	-	-	
-	-1&5BR	-100&500KP	-1&5KSC	30IMV&70#	
30IMV&100#	-	-	-	-	
-	-1&9BR	-100&900KP	-1&9KSC	30IMV&125#	
15#	1BR	100KP	1KSC	14# <sup>(1)</sup>	
-	1.6BR	160KP	1.6KSC	22#	
30#	-	-	-	-	
-	2.5BR	250KP	2.5KSC	35#	
60#	4BR	400KP	4KSC	55#	
-	6BR	600KP	6KSC	85#	
100#	-	-	-	-	
-	10BR	1000KP	10KSC	140#	
160#	-	-	-	-	
200#	-	-	-	-	
-	16BR	1600KP	16KSC	220#	
300#	-	-	-	-	
-	25BR	2500KP	25KSC	350#	
400#	-	-	-	-	
600#	40BR	4000KP	40KSC	550#	
-	60BR	6000KP	60KSC	850#	
1000# <sup>(1)</sup>	-	-	-	-	

(1) Requires high pressure clamp

### DIMENSIONS in [ ] are millimeters

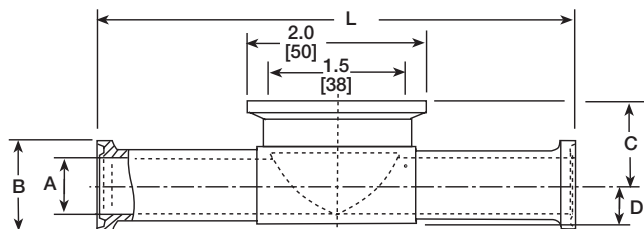
For reference only, consult Ashcroft for specific dimensional drawings

### 1036 IN-LINE SANITARY PRESSURE GAUGE



**Notes:** Mounting any of these models in other than a vertical position could cause non-compliance with 3A-74  
The 1036 Sanitary Gauge fits into all sizes of the 1037 fitting

### 1037 INSTRUMENT FITTINGS



Pipe Size	A	B	C	D	L
1/2	0.38 [9.6]	0.98 [24.9]	0.87 [22]	0.31 [7.9]	5.25 [133.4]
3/4	0.63 [15.9]	0.98 [24.9]	1.00 [25]	0.43 [10.9]	5.25 [133.4]
1	0.87 [22.1]	1.98 [50.4]	1.13 [28.7]	0.55 [14.1]	4.75 [120.7]
1 1/2	1.37 [34.7]	1.98 [50.4]	1.13 [28.7]	0.81 [20.6]	5.50 [139.7]
2	1.86 [47.2]	2.51 [62.8]	1.13 [28.7]	1.06 [26.9]	7 [177.8]