

KMC62 Pressure Transducer

- EMI Performance, good long-term stability
- All Stainless Steel Structure
- Compact Design
- Zero and Full Scale Adjustable
- Vibration and Shock Resistance



Pharmaceuticals and Biotechnology



Food and Beverage



Hydraulics

KMC62 Pressure Transducer

PERFORMANCE SPECIFICATIONS

| | |
|--------------------|--|
| Accuracy: | ±0.25% F.S., ±0.5% F.S. (reference temperature 25°C) |
| Cycle Life: | ≥1x10 ⁶ |

ENVIRONMENTAL SPECIFICATIONS

| | |
|------------------------------|--|
| Thermal Coefficient : | 5 KPa ±2%FS (0~60°C) ; Other Range: ±1.5%FS (-20~85°C) |
| Storage Temperature: | -40°C~125°C |
| Ambient Temperature: | -20°C~85°C |
| Medium Temperature: | -30°C~105°C |

FUNCTION SPECIFICATIONS

| | |
|------------------------|--|
| Response Time: | ≤5ms (up to 90%FS) |
| Range: | Vacuum, 0...5KPa to 60MPa, Pressure type can be gauge, absolute and sealed gauge |
| Shock: | 200g/1ms IEC 60068-2-27 |
| Vibration: | Sine: 20g,25Hz~2KHz IEC 60068-2-6; Random: 7.5g,5Hz~1KHz IEC 60068-2-64 |
| Drop Test: | Free Fall: 1m, IEC60068-2-32 |
| Proof Pressure: | 150%FS to 200%FS, please refer to ordering code table |
| Burst Pressure: | 300%FS to 600%FS, please refer to ordering code table |

ELECTRICAL SPECIFICATIONS

| | |
|-------------------------------|--|
| Isolation Voltage: | Current Output: 500VAC 1min; Voltage Output: 250VAC 1min |
| Insulation Resistance: | ≥100MΩ/500VDC (200MΩ/250VDC) |
| Output: | 4/20mA 0/5Vdc 0/10Vdc 1/5Vdc 1/10Vdc 0.5/4.5Vdc |
| EMI/EMC: | IEC 61000-6-2 IEC 61000-6-3 |
| Surge: | IEC 61000-4-5 Class 3 |
| Static Electricity: | IEC 61000-4-2 Class 4 |

CONNECTIONS & IP RATING

| | |
|-------------------------------|--|
| Process Connection: | G1/2, G1/4, 1/2NPT, 1/4NPT, M20X1.5, others please consult the factory |
| Electrical Connection: | Hirschmann EN175301-803A, M12x1, flying leads (standard 1m) |
| Ingress Protection: | IP65 |
| Weight: | ~200g |

WETTED & NON-WETTED MATERIALS

| | |
|-------------------------|-------------------------------------|
| Wetted Material: | 316L SS, pressure connection 304 SS |
| Case Material: | 304 SS |

KMC62 Pressure Transducer

| | | | | | | | |
|------------------------------|--|--------------|------------|-----------|-----------|----------|------------|
| Ordering Code | KMC62 | 3 | MG5 | 42 | DA | G | XTS |
| Model | | | | | | | |
| KMC62 | Pressure Transducer | KMC62 | | | | | |
| Accuracy | | | | | | | |
| 3 | ± 0.25%F.S | 3 | | | | | |
| 5 | ± 0.5%F.S | | | | | | |
| Process Connection | | | | | | | |
| MG5 | G 1/2 male | MG5 | | | | | |
| MG2 | G 1/4 male | | | | | | |
| MGA | G1/4 A male (stud end DIN 3852-E G1/4) | | | | | | |
| MM20 | M20 x 1.5 male | | | | | | |
| M04 | 1/2 NPT male | | | | | | |
| M02 | 1/4 NPT male | | | | | | |
| Output | | | | | | | |
| 42 | 4-20 mA | 42 | | | | | |
| 5 | 0-5 Vdc | | | | | | |
| 10 | 0-10 Vdc | | | | | | |
| Electrical Connection | | | | | | | |
| DA | Hirschmann EN175301-803A | DA | | | | | |
| EW | M12 x 1 | | | | | | |
| W2 | Flying Leads | | | | | | |
| Pressure Type | | | | | | | |
| G | Gauge Pressure | G | | | | | |
| A | Absolute Pressure | | | | | | |
| S | Sealed Pressure | | | | | | |
| Filling Liquid | | | | | | | |
| TS | Damping nail | XTS | | | | | |
| 6B | Cleaned for oxygen service | | | | | | |
| 6W | Cleaned "free of oil and grease" (no Oxygen service) | | | | | | |

KMC62 Pressure Transducer

Range Table

| Range Code | Pressure Type* | Pressure Range | Proof Pressure | Burst Pressure |
|-------------|----------------|----------------|----------------|----------------|
| 5 KP | G/A | 0~5 Kpa | 2 X | 6 X |
| 6 KP | G/A | 0~6 Kpa | 2 X | 6 X |
| 10 KP | G/A | 0~10 Kpa | 2 X | 6 X |
| 16 KP | G/A | 0~16 Kpa | 2 X | 6 X |
| 25 KP | G/A | 0~25 Kpa | 2 X | 6 X |
| 40 KP | G/A | 0~40 Kpa | 2 X | 6 X |
| 60 KP | G/A | 0~60 Kpa | 2 X | 6 X |
| 100 KP | G/A | 0~100 Kpa | 2 X | 5 X |
| 250 KP | G/A | 0~250 Kpa | 2 X | 5 X |
| 400 KP | G/A | 0~400 Kpa | 2 X | 5 X |
| 600 KP | G/A | 0~600 Kpa | 2 X | 5 X |
| 1 MP | G/A/S | 0~1 MPa | 2 X | 5 X |
| 1.6 MP | G/S | 0~1.6 MPa | 2 X | 5 X |
| 2.5 MP | G/S | 0~2.5 MPa | 2 X | 5 X |
| 4 MP | S | 0~4 MPa | 2 X | 4 X |
| 6 MP | S | 0~6 MPa | 2 X | 4 X |
| 10 MP | S | 0~10 MPa | 2 X | 4 X |
| 16 MP | S | 0~16 MPa | 1.5 X | 4 X |
| 25 MP | S | 0~25 MPa | 1.5 X | 4 X |
| 40 MP | S | 0~40 MPa | 1.5 X | 3 X |
| 60 MP | S | 0~60 MPa | 1.5 X | 3 X |
| N100 KP | G | -100~0 Kpa | 2 X | 6 X |
| N100/100 KP | G | -100~100 Kpa | 2 X | 6 X |

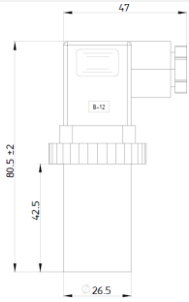
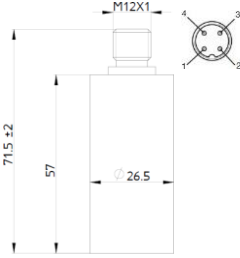
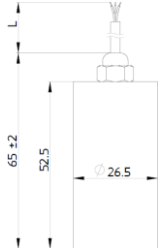
*Notes: "G" is for Gauge pressure; "A" is for Absolute pressure; "S" is for sealed gauge pressure.

Output and Power Supply

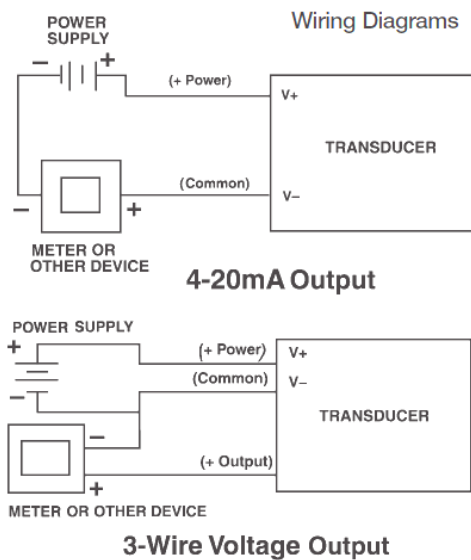
| Code: | 42 | 05 | 10 |
|---------|----------|----------|----------|
| Output: | 4~20mA | 0~5V | 0~10V |
| Power: | 12~30VDC | 12~30VDC | 12~30VDC |

KMC62 Pressure Transducer

Electrical Connection

| Electrical Connection | Hirschmann EN175301-803A | M12 | Flying Leads |
|---------------------------------|---|--|---|
| Code | DA | EW | W2 |
| Dimensions mm |  |  |  |
| Wiring (2 wires current output) | 1:power supply 2:analog output | 1:power supply+ 2:NC 3:analog output 4:NC | Red:power supply+ Black:analog output |
| Wiring (3 wires voltage output) | 1:power supply+ 2:power supply- 3:analog output | 1:power supply+ 2:NC 3:power supply- 4:analog output | Red:power supply+ Black:power supply- White:analog output |

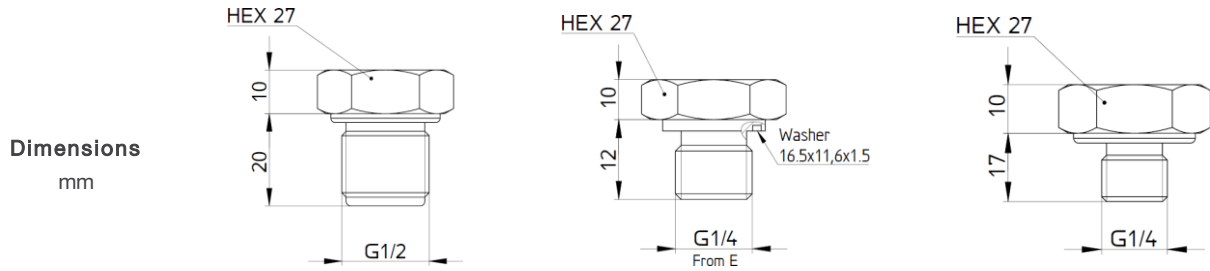
For other electrical connections please consult the factory.



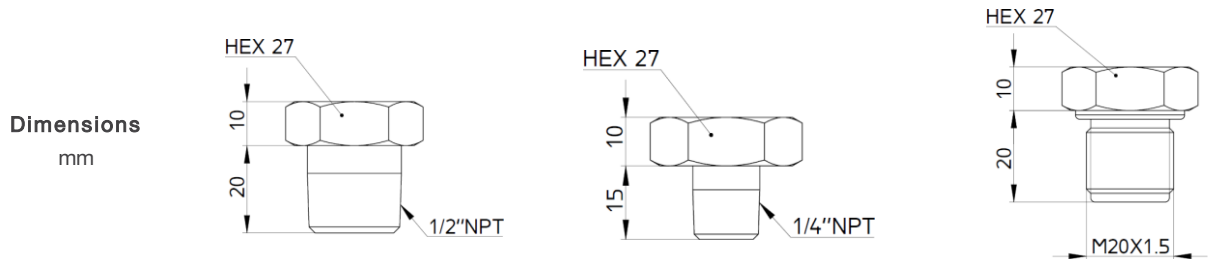
KMC62 Pressure Transducer

Pressure Connection

| Pressure Connection | G1/2 Male | G1/4 Male | G1/4 Male |
|---------------------|-----------|-----------|-----------|
| Code | MG5 | MGA | MG2 |



| Pressure Connection | 1/2NPT Male | 1/4NPT Male | M20x1.5 Male |
|---------------------|-------------|-------------|--------------|
| Code | M04 | M02 | MM20 |



For other pressure connections please consult the factory.