



**Installation and Maintenance
Instructions for GC35 Heavy
Duty Digital Pressure Sensor**



Version 1.0 5/11

CONTENTS

CAUTION	4
1. SPECIFICATIONS	5
2. DIMENSION DRAWINGS.....	6
3. INSTALLATION	7
4. WIRING.....	7-8
5. NOISE PREVENTION	9
6. STORAGE.....	9
7. MAINTENANCE	9
8. MENU NAVIGATION	9-10
9. FUNCTION SETTING MODE.....	10-12
10. SWITCH SETTING MODE	12-13
11. SWITCH OPERATION.....	14-15
12. OTHER FUNCTIONS	15
13. ERROR DISPLAY	16
14. TROUBLE SHOOTING	17
15. MAINTENANCE & WARRANTY.....	18



WARNING! READ BEFORE INSTALLATION



1. GENERAL:

A failure resulting in **injury** or **damage** may be caused by excessive overpressure, excessive vibration or pressure pulsation, excessive instrument temperature, corrosion of the pressure containing parts, or other misuse. Consult Ashcroft Inc., Stratford, Connecticut, USA before installing if there are any questions or concerns.

2. OVERPRESSURE:

Pressure spikes in excess of the rated overpressure capability of the transducer may cause **irreversible electrical and/or mechanical damage** to the pressure measuring and containing elements.

Fluid hammer and surges can destroy any pressure transducer and must always be avoided. A pressure snubber should be installed to eliminate the damaging hammer effects. Fluid hammer occurs when a liquid flow is suddenly stopped, as with quick closing solenoid valves. Surges occur when flow is suddenly begun, as when a pump is turned on at full power or a valve is quickly opened.

Liquid surges are particularly damaging to pressure transducers if the pipe is originally empty. To avoid damaging surges, fluid lines should remain full (if possible), pumps should be brought up to power slowly, and valves opened slowly. To avoid damage from both fluid hammer and surges, a surge chamber should be installed.

Symptoms of fluid hammer and surge's damaging effects:

- Pressure transducer exhibits an output at zero pressure (large zero offset).
- Pressure transducer output remains constant regardless of pressure
- In severe cases, there will be no output.

FREEZING:

Prohibit freezing of media in pressure port. Unit should be drained (mount in vertical position with electrical termination upward) to prevent possible overpressure damage from frozen media.

3. STATIC ELECTRICAL CHARGES:

Any electrical device may be susceptible to damage when exposed to static electrical charges. To avoid damage to the transducer observe the following:

- Ground the body of the transducer **BEFORE** making any electrical connections.
- When disconnecting, remove the ground **LAST!**

Note: The shield and drain wire in the cable (if supplied) is not connected to the transducer body, and is not a suitable ground.

1. SPECIFICATIONS:

PERFORMANCE SPECIFICATIONS

Optional Analog Output (4-20mA):

Accuracy $\pm 1.0\%$ FS (Accuracy includes the effects of Linearity, Hysteresis and Repeatability)

Response Time: 30msec–10 sec (by user)

Output Resolution: ± 0.05 FS

Analog Scaling: User may configure analog output scaling to any range within –100 to 150% Full Scale of sensor range.

Pressure Switch Output:

Type: NPN or PNP Open Collector up to 80mA

Setting Accuracy: $\pm 1.0\%$ FS

Response Time: 5msec–10 sec (by user)

Hysteresis: Variable (by user)

Switch Setting: User may adjust switch actuation and deadband to any points within Full Scale sensor range

Display:

Type: 4 digit, 8mm LED

Accuracy: $\pm 1.0\%$ FS (URL) + last digit

Response Time: 200msec–10 sec (by user)

Display Setting: User may re-configure display scaling, set to capture MIN or MAX value and adjust display update rate

LED Ring: 3 color emmissions (red, green, blue)

Standard Ranges (Gauge):

0 to 50psig, 100psig, 150psig, 300psig, 500psig, 1000psig, 1500psig, 3000psig, 5000psig, 7500psig

Standard Ranges (Compound):

–15 to 75psig, –15 to 150psig, –15 to 300psig,

ENVIRONMENTAL SPECIFICATIONS

Temperature Limits:

Storage: –20 to 70°C (–4 to 158°F)

Operating: –20 to 70°C (–4 to 158°F)

Compensated: –20 to 70°C (–4 to 158°F)

Temperature Effects:

Zero and Span $\pm 0.1\%$ FS/°C (from 23°C reference temperature)

Humidity: Non-Condensing

0 to 85% RH (Ranges 150 psi and below), 0 to 100% RH (Ranges 300 psi and above)

FUNCTIONAL SPECIFICATIONS

Proof Pressure: 4X Range (Ranges 1500psi and below)

2.5X (Ranges 3000psi and above)

Burst Pressure: 10X Range (Ranges 1500 psi and below)

5X Range (Ranges 3000 psi and Below), 3X Ranges (Ranges 5000 psi and above)

Withstand Voltage: 350Vac 1 minute

Insulation Voltage: 50Vdc, 100M Ω min

CE Compliance: EN61326-1 2006, EN61326-2-3 2006

EU RoHS Compliance

Stabiity: $\pm 0.25\%$ FS/Year

ELECTRICAL SPECIFICATIONS

Power Supply Requirements:

Supply Voltage: 16-36Vdc (with Analog Output Option)

11-36Vdc (Switch Output Version Only)

Current Consumption: 50mAdc (max)

Switch Contacts: User selectable NPN (default) or PNP Open Collector Outputs

NPN Type: 30Vdc/80mA (max)

PNP Type: supply voltage 80mA (max), Voltage drop 1 Vdc (max)

MECHANICAL SPECIFICATIONS

Pressure Connection: ¼ NPT (Male)

Connection Location: Lower, Back

Enclosure: Nickel Plated Aluminum

Rating: IP67 (Ranges 300 psi and above); IP65 (Ranges 150psi and below)

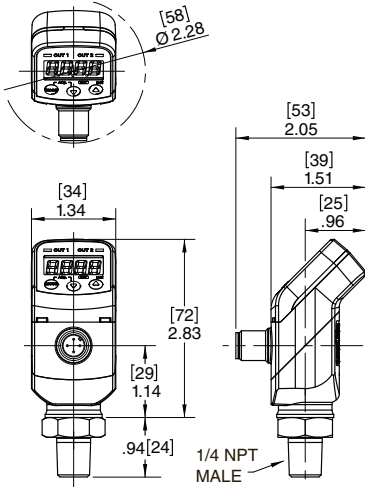
Electrical Connection: M12 Connector (4 pin)

Weight: Approx. 150 grams

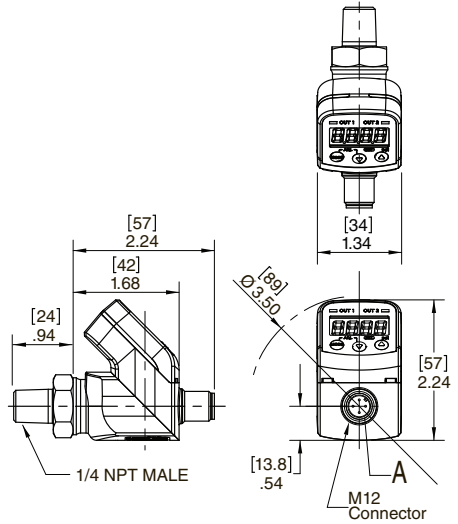
Media: Fluids and gases compatible with 316SS (sensing housing) and 17-4 pH SS (sensor diaphragm)

2. PRODUCT DIMENSIONS:

Lower Connect

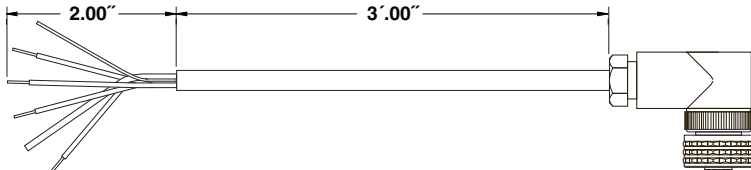


Back Connect



M12

3ft cable (straight) with M12 connector drawing 611C175-03* (90° right angle)



*NOTE: Consult factory for alternative cable lengths made to order

3. INSTALLATION

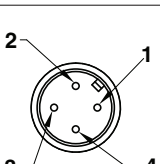
Install in a location where vibration and shock can be minimized and without direct sunlight on the display and care should be taken to locate the product in compliance with IP65 (150 psi and below) or IP67 (300 psi and above) environmental rating.

- Pressure Port Connections ¼ NPT male 1½ turns past hand tight.

4. WIRING:

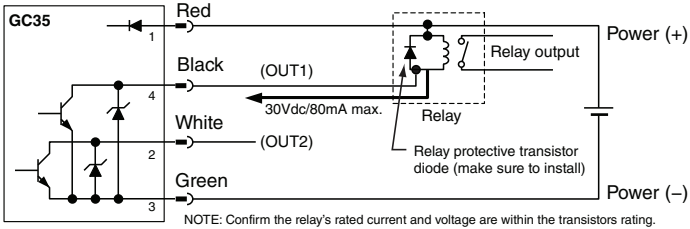
Cable Color

- Red Power (+)
- Black Open Collector Output OUT 1
- White Open Collector Output OUT 2 / analog output
- Green Power (-)
- Silver Shielded Ground
- Clear Vent Tube

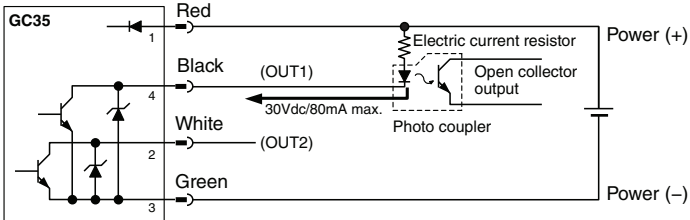
WIRING PIN OUT	TERMINAL NUMBER		Pin 611C175 Cable Wiring Color	
	2 Switch (No 4-20mA)	1 Switch Analog Output		
	1	Power (+)	Power (+)	RED
	2	OUT2	Analog (+) Output	WHITE
	3	Power (-)	Power (-)	GREEN
	4	OUT1	OUT1	BLACK

NOTE: Mount M12 connector pins face on with electrical mating cable.
Do NOT turn or pull on connector to prevent damage to unit.

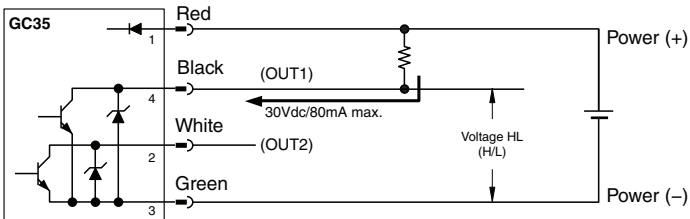
NPN Type Switch Function (Wiring to Relay)



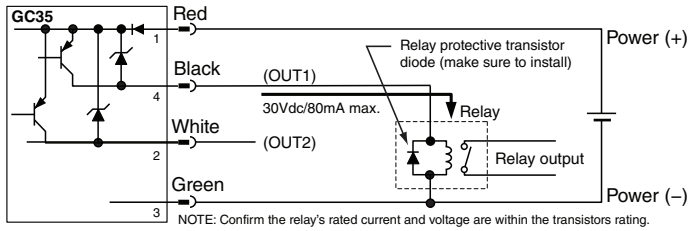
NPN Type Switch Function (Wiring to Photo Coupler)



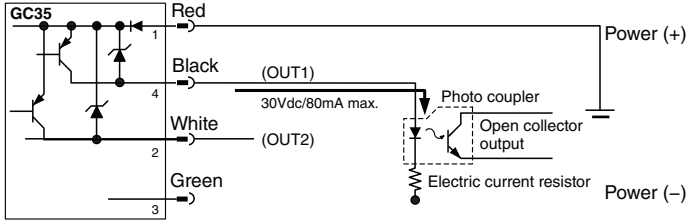
NPN Type Switch Function (Voltage Output)



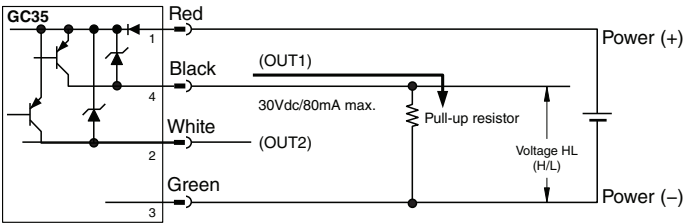
PNP Type Switch Function (Wiring to Relay)



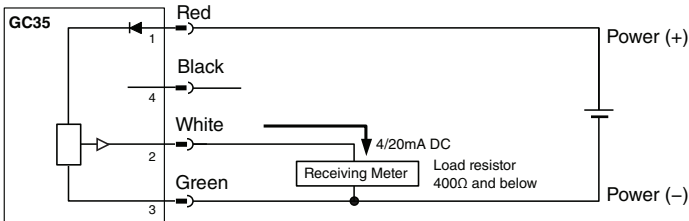
PNP Type Switch Function (Wiring to Photo Coupler)



PNP Type Switch Function (Voltage Output)



Analog Output Wiring



5. NOISE PREVENTION

Power Supply

The pressure display can fluctuate and provide incorrect output if noise is present in the power supply/wires. Care should be taken to keep the GC35 power supply wires from high voltage lines and use a power line with a high noise rejection ratio.

6. STORAGE

Store in a location in compliance with the environmental rating of the unit and within -20 to $+70^{\circ}\text{C}$ (-4 to 158°F). Avoid direct exposure of the display to Sunlight.

7. MAINTENANCE

Although this is a solid state device, it is recommended that a visual inspection be conducted twice a year along with regular zero adjustment if necessary.

8. MENU NAVIGATION

Functions

Please Note: Do not use sharp objects to press the keys as this can puncture and damage the panel.

⑤ Collector/switch 1
LED operation indicator
(OUT 1)

① 4 Digit, 8mm
LED display

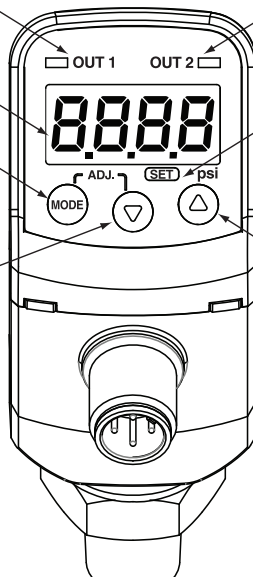
② MODE key

③ DOWN key

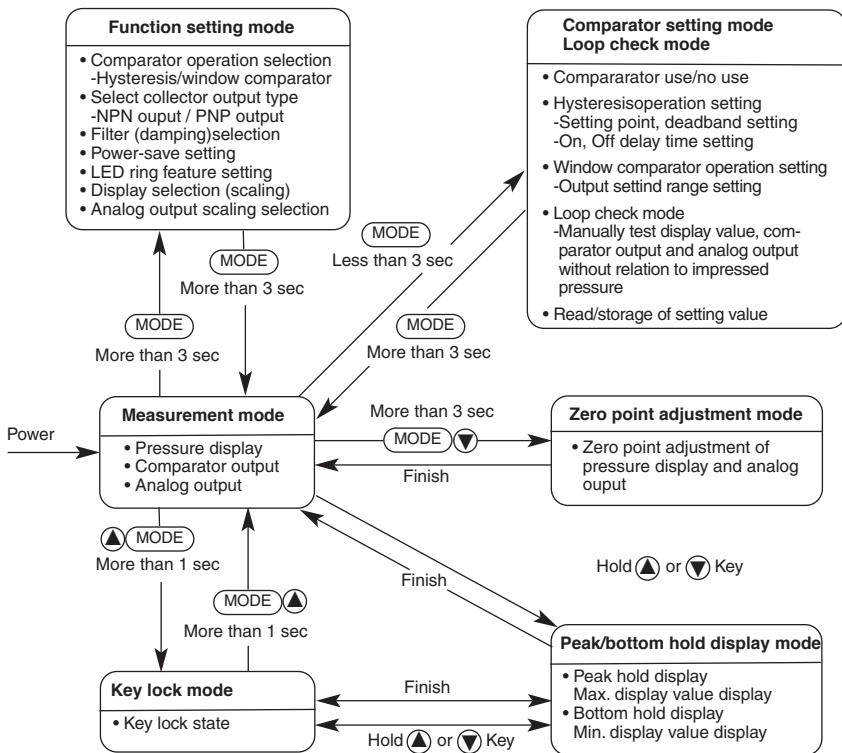
⑤ Collector/switch 1
LED operation indicator
(OUT 2)

⑥ Setting mode
LED operation indicator
(SET)

④ UP key



Pressing the **(MODE)** key for 3 seconds displays “___”.” To return to measurement mode, the “___” display will flash when 3 seconds have passed.



9. FUNCTION SETTING MODE

Setup Steps

Pressing the **(MODE)** key *greater* than 3 seconds will display Function Setting Mode. Scroll through appropriate displays and select feature to change/confirm. LED ring will flash until this menu is exited to the Measurement Mode by holding the **(MODE)** key for more than 3 seconds. The setting mode is used to select comparator operation, pressure unit, indication scaling, scaling of analog output and filter time constant.

Note: Editing the setting value in function setting mode recalculates all of the setting values including the comparator. Please note that when the recalculated setting values are out of the display range, they will be adjusted to the upper or lower limit value that can be processed internally.

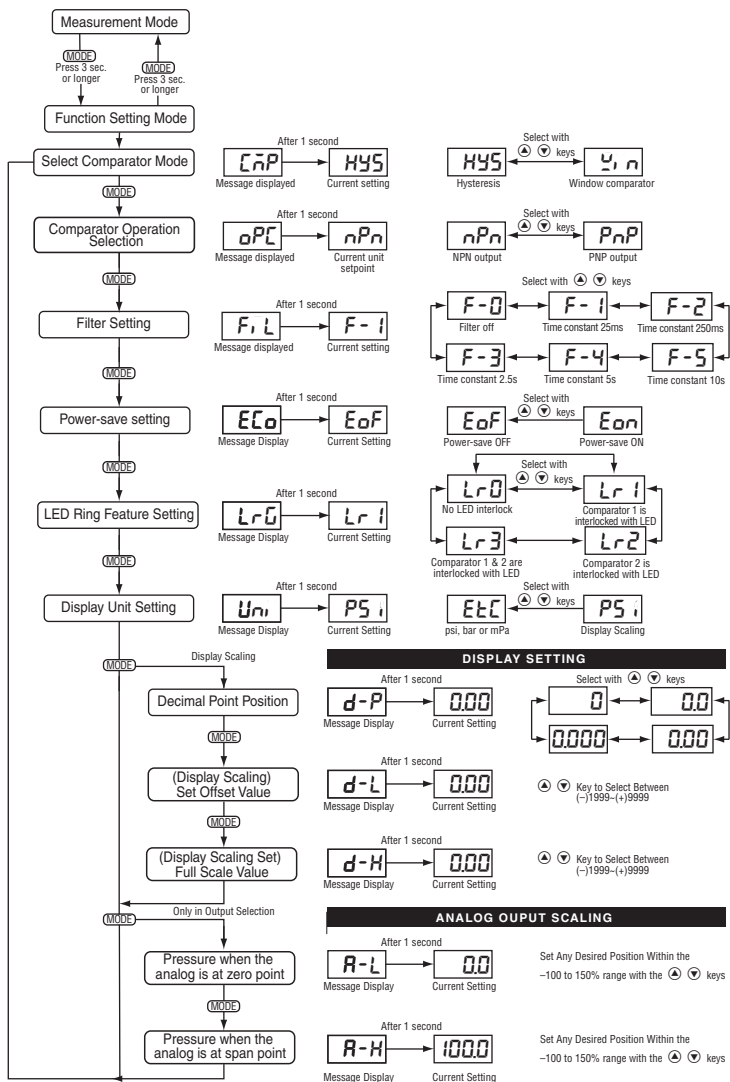
Function Setting Notes

Comparator Operation Selection

For the unit equipped with two comparator output option, both comparators will be in the same operation mode.

Filter Setting

The GC35 is equipped with 5 internal time constant filters. Use of the function is recommended when measuring transient pressure source such that display, comparator output, analog output do not stabilize. The selected time constant filter is reflected on comparator/analog output as well.



Energy-Saving Mode Setting

The unit is equipped with automatic display turn-off feature. If user wishes to turn-on the display only when reading the display, or to use the unit mainly for an electrical output reading, this feature can be used.

LED Ring Operation Setting

Lr0 LED ring is off.(no linkage)

Lr1 LED ring turns Red when comparator 1 is ON, and turn Blue or Green when OFF.

Lr2 LED ring turns Red when comparator 2 is ON, and turn Blue or Green when OFF.
(Feature is only available for 2 comparator output option)

Lr3 LED ring turns Red when comparator 1 or 2 is ON, and turns Blue or Green when OFF.
(Feature is only available for 2 comparator output option)

(LED Ring: Blue when OFF: NPN output selected. Green when OFF: PNP output selected)

Indication Scaling

In (Display setting), when (indication scaling) is selected, arbitrary scaling value, based on the applied pressure, can be displayed on the unit. This feature can scale the display value based on the minimum and maximum pressures within the rated pressure range, and will not affect the analog or switch output.

• Decimal Point Placement

No decimal point

One digit after decimal point

Two digits after decimal point

Three digits after decimal point

Analog Output Scaling (This menu is not available for 2 comparators option)

This function sets analog output for pressures corresponding to zero point (4mA dc) and span point (20mA DC) in percentage figures (When pressure range is set to 0.0~100.0%F.S.)

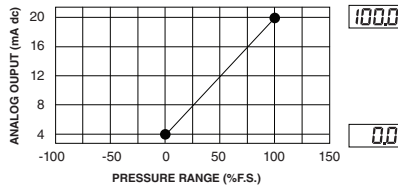
• Analog output under zero point pressure

After is displayed for one second, current analog output under zero point (4mA dc) value in percentage figure (When pressure range is set to 0.0~100.0%F.S.) is displayed. Use key or key to set pressure value in percentage figure.

• Analog output under span point pressure

After is displayed for one second, current analog output under span point (20mA dc) value in percentage figure (When pressure range is set to 0.0~100.0%F.S.) is displayed. Use key or key to set pressure value in percentage figure.

Example 1)



Example 1) Pressure range 0.00~1450 psi (0.0~100.0%F.S.) corresponding to analog output of 4~20mA dc is scaled to pressure range 0.00~1,423 psi (0.0~98.1%F.S.) corresponding to analog output 4~20mA dc.

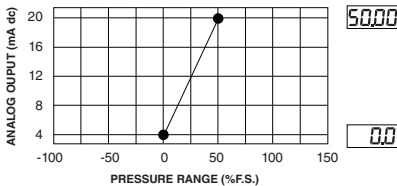
Key to select Key to select

Initial value (No change in this example)

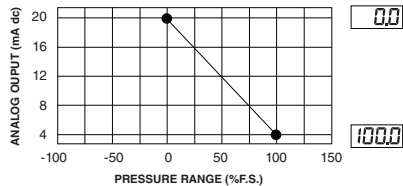
Pressure value for analog output zero point: → (%F.S.)

Pressure value for analog output span point: → (%F.S.)

Example 2)



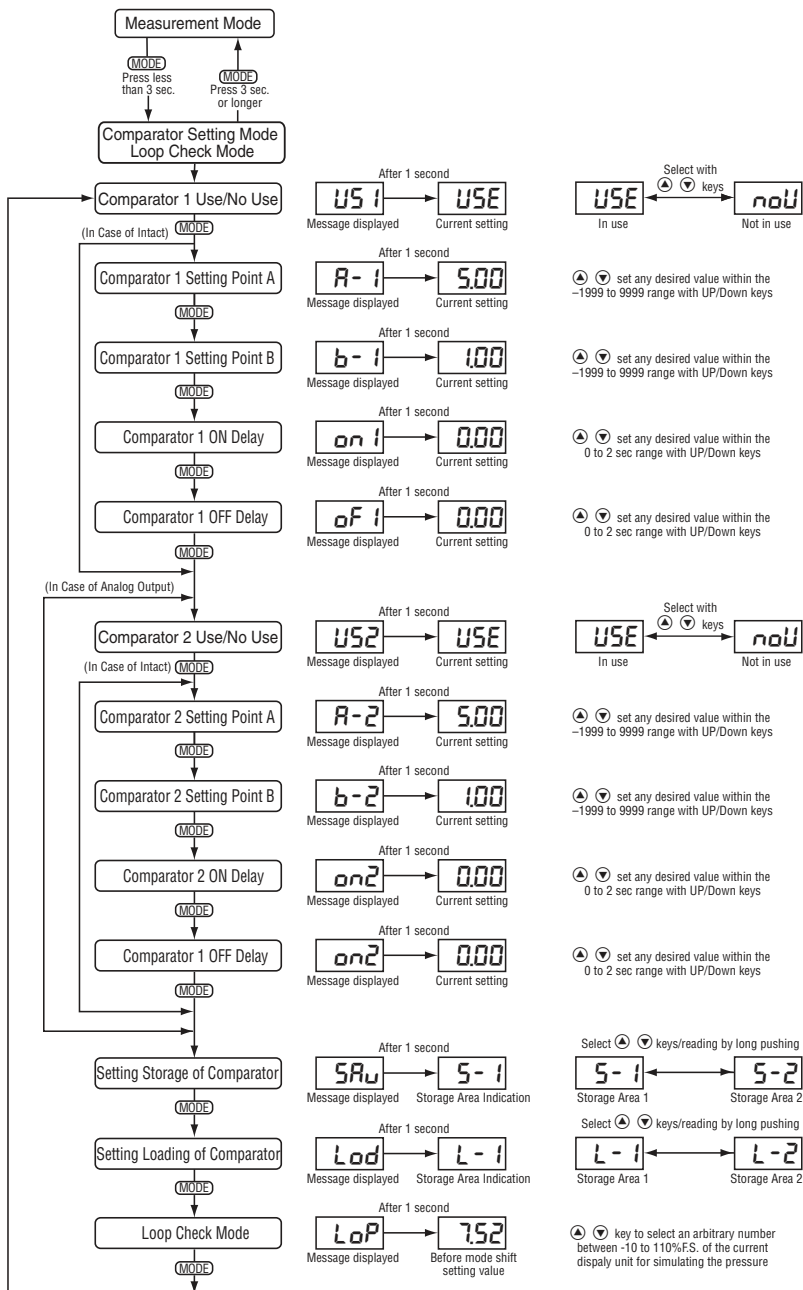
Example 3)



10. COMPARATOR SWITCH SETTING MODE / LOOP CHECK MODE

Setup Steps

Pressing the **(MODE)** key for *less than 3 seconds* will display message within the Comparator Setting/Loop Check Mode. Scroll through appropriate displays and select feature to change/confirm. LED ring will flash until this menu is exited to the Measurement Mode by holding the **(MODE)** key for more than 3 seconds.



In “Comparator setting mode”, user can change settings on the comparator outputs provided by the unit. (Two comparator outputs or one for analog output unit are provided). The available selections of this mode varies based on the selections made in Function setting mode and comparator output type selection. For the unit provided with two comparator outputs, settings of each output can be done independently with the exception of the operation mode.

- **Hysteresis Mode**



Settings of comparator operation point (A) and comparator operation point (b)

- **Window Comparator Mode**

Settings of comparator operation point (A) and dead band (b)

For operation points (A & B) setting, it is fixed at 1 %F.S. in the comparator OFF direction (window comparator mode).

Also, as common parameters between each operation mode, comparator ON time delay and comparator OFF time delay can be selected in the range of 0.00~2.00 seconds.

Loop check mode allows the user, without actually applying pressure to the unit, to vary pressure display value by using  key or  key. As a result, comparator(s) and analog outputs will vary based on the pressure display value chosen. This function allows the user to confirm outputs or output settings manually. This function is also useful in checking proper wiring and other simulations.

Comparator 1: Use/No Use

If the comparator 1 was set to No use, LED (OUT1) will turn off

Comparator 2: Use/No Use

Only available with two comparators LED (OUT2) will turn off when comparator 2 is set to No Use.

Comparator Setting Point A & b

In case comparator 1 is disabled, this menu is not available. Only available with two comparator option.

Note: When setting the dead band (b) in "Hysteresis", if the set value is too small, there is a risk of chattering occurring. Be careful when setting dead band (b). For dead band (b), it is recommended that a value greater than 1%FS of pressure range is selected.

Note: When the deadband (b) in “hysteresis” is set to negative, comparator is ON at low point (A) and OFF at high point (A)–(b).

Note: Comparator output setting values are checked and recalculated when a setting related to comparator operation is altered in order to prevent any inconsistencies in comparator operation. The comparator’s output setting value is recalculated, if the calculation result is beyond setting range and the comparator output setting value will be changed automatically so that it will be within the setting range. Possible calculated error of ± 1 digit may be observed at comparator output setting values when the comparator output setting value is recalculated.

Comparator ON/OFF delay time

In case comparator 1 is disabled, this menu is not available.

Comparator 2 ON/OFF delay time

Only available with two comparator option.

Saving Comparator Setting

The comparator settings can be saved to the memory within the unit. The units’ current comparator settings will be saved therefore a comparator setting must be set prior to saving.

What data is saved? Comparator(s) Use/No Use setting, comparator operation point (A), dead band (b) and ON/OFF Time delay.

What is not saved? Comparator mode and/or output type will not be saved.

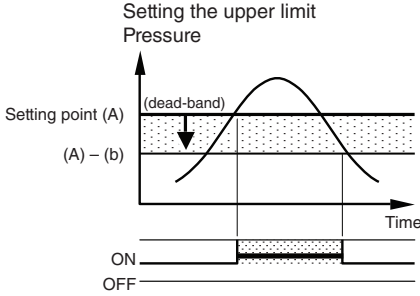
Loading comparator setting

What is loaded? Comparator(s) Use/No Use setting, comparator operation point (A), dead band (b), and ON/OFF Time delay.

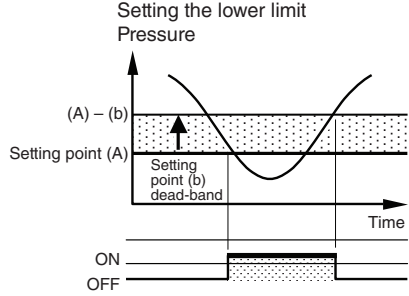
11. COMPARATOR SWITCH OPERATION

When the comparator output conditions shown below are met, each output becomes ON status and "Comparator output LED (OUT1, OUT2)" is red lit.

• Operation of hysteresis mode

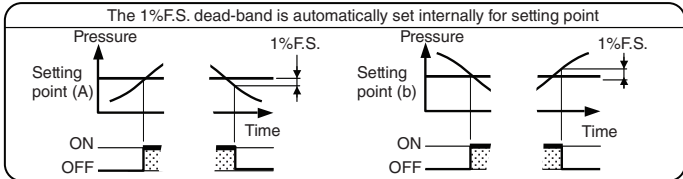
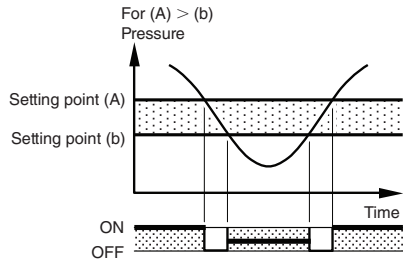
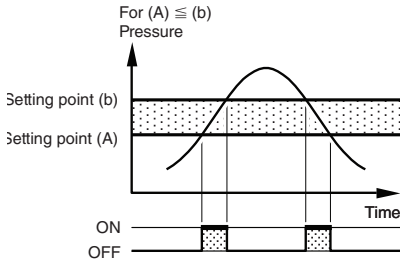


The upper limit setting is determined when you select a positive number (including 0) for setting value (b).

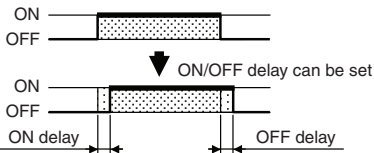


The lower limit setting is determined when you select a negative number for setting value (b).

• Operation of Window Comparator Mode



• Operation of ON delay / OFF delay



12. OTHER FUNCTIONS

Basic Key Operations

For setting up in each setting mode, the contents of selection UP/DOWN keys are chosen, respectively. In all setting modes, values are set with the UP/DOWN keys. Use UP key to increase and DOWN key to decrease values. A repeat state occurs in three phases of speed when the UP or DOWN keys are pressed for more than 0.5seconds to increase or decrease numerical value.

Adjusting Zero Point

In Measurement Mode, press the MODE and DOWN keys for greater than 3 seconds; this will display “_ _ _” after releasing pressure from the pressure port. Approximately 1 second later an automatic zero adjustment takes place and the pressure displays as zero.

When the zero adjustment is successful **RdJ** appears on the LED display.

The error **E-0** displays for one second when applied pressure was outside the range of -10~10% F.S. , zero adjustment does not happen.

Peak/Bottom (Max./Min.) Hold Display Mode

The GC35 unit keeps the maximum and minimum pressure level applied to the pressure port as peak and bottom values respectively, in the internal memory. The peak and bottom values are displayed as long as press and hold the **▼** or **▲** keys respectively. When you select this operation, the message **PEH** is displayed for one second and selected Peak/Bottom value is displayed.

Peak and bottom values are reset when you reset power to the unit, or by following procedure.

Resetting peak value: While holding the **▲** key, press the **▼** key.

Resetting bottom value: While holding the **▼** key, press the **▲** key.

Key Lock

Key operations can be nullified to prevent inadvertent overwriting of setting values. Once the key lock state is set, the mode cannot be shifted to the one other than the peak hold display mode. The key lock mode cannot be reset by restoring power. It is reset by the following release operation of a key lock.

Setting of key lock: In measurement mode press **MODE** and **▲** keys together.

LcL The lock message is displayed for one second indicating that the unit is locked.

Release of key lock: Press **MODE** and **▲** keys together.

UnL The Unlock message is displayed for one second indicating that the unit is unlocked

Backup of Setting Values

The unit has an internal EEPROM and settings and the key lock state are maintained even after the power is turned OFF. Peak / bottom (max./min.) values will not be maintained.

Maximum/Minimum Pressure Capture

The GC35 unit keeps the maximum and minimum pressure level applied to the pressure port as peak and bottom values respectively, in the internal memory. The peak and bottom values are displayed while holding the **▼** or **▲** keys respectively. Message **PEH** is displayed for one second and selected Max/Min value is displayed by this operation. Maximum and minimum values are reset when you reset power to the unit or by the following procedure:

Resetting Maximum value: While holding the **▼** key, press the **▲** key.

Resetting Minimum value: While holding the **▼** key, press the **▲** key.

13. ERROR DISPLAY

An error message and pressure value are alternately displayed when one of the following errors occurs in the measurement mode (In case of “Out of pressure display range” error, only error message is displayed). Check the content of error message and take the action below immediately.

Error Display	Contents	Actions
FFF	Out of pressure display range (Upper limit) A pressure above 110% FS of pressure range is applied, or when indicated value exceeds 1999.	Adjust the applied pressure within the rated pressure.
FFF	Out of pressure display range (Lower limit) A pressure less than -10% FS of pressure range is applied, or when indicated value falls below -1999.	
E-D	During zero point adjustment, applied pressure is outside the range of $\pm 10\%$ FS	Open the unit to the atmosphere and perform zero point adjustment again.

14. TROUBLESHOOTING

Error	Possible cause	Actions
No display	Energy-saving mode	Press any key to turn indication on or disable power-saving mode in the setup. (Function setting mode) → (Power-save setting)
	Wiring	Carry out wire connection correctly according to the connection point.
No output	Supply voltage	
	Setting of comparator	Set a comparator output type (NPN, PNP) output type to match the setup of apparatus. (Function setting mode) → (Comparator operation selection)
	Comparator enabled	Enable a comparator in the setup. (Comparator setting mode) → (Comparator Use/No use)
Display/output do not indicate when pressure is applied (remains at zero)	Pressure leak	Check pressure connection and piping.
	Too low pressure applied	Verify applied pressure by using a pressure gauge with the suitable pressure range.
Unit display/output conflicts with the value of applied pressure	Zero point shift	Perform zero point adjustment (zero point adjustment mode)
	Pressure indication mode	Select a pressure indication (Function setting mode) → (Display setting)
	Analog scaling mode	Check analog output scaling setup (Function setting mode) → (Analog Output Scaling)
	Set value of the comparator output	Check the operational mode of the comparator, a preset value, and the preset value of delay time. (Function setting mode) → (Select comparator mode) (Comparator setting mode) → (Comparator setting point) (Comparator setting mode) → (Comparator delay)
	Overloaded comparator	Use unit with a load current set to 80mAdc or lower.
	Foreign material (blockage)	Clean / remove obstruction in piping

15. Maintenance and Warranty

Periodic Inspection

Depending upon the type of use periodic inspection is recommended at least once a year. Please refer to the following items for periodic inspection.

1. Appearance

2. Display/output check via appropriate pressure standard⁽¹⁾

3. Display/output check via Loop Check⁽²⁾

CAUTION

- Avoid electrostatic charging. When cleaning this product, please use a soft, damp cloth.
- Do not use thinner, etc. which may cause deterioration and failure.

Product warranty

Except as otherwise provided, the product warranty of this product is as follows:

Period: 12 months after delivery

Warrantable defects: Defects resulting from the design and manufacture of our company, the quality of the material, etc.

Implementation of warranty: This warranty will be completed by substitution or repair of the product concerned.

Consequential damages caused by product defects are not the responsibility of the manufacturer.

- If you have any questions about this document, please contact the sales office or distributor nearest you.
- This document is subject to change without notice due to upgrade, etc.

(1) If zero correction is required refer to section 12.

(2) Loop check, see section 10.

