

## Data Sheet

# 8008A Commercial Pressure Gauge

### FEATURES

- Meets EN837-1 and ASME B40.100 specifications
- Corrosion resistant stainless steel case
- Dry gauges are field fillable
- FlutterGuard™ option standard on dry gauges
- Custom dials available
- Ventable fill plug
- Accessory kits for easy panel mounting

### TYPICAL USES

- Hydraulic systems
- Hydraulic hand tools
- Injection molding equipment
- Pressure washers and sprayers
- Paint spray equipment
- Compressors
- Irrigation equipment



### SPECIFICATIONS

Accuracy:	63 mm: ±1.6% of span per EN837-1 ±1% of span per EN837-1 ±2-1-2% of span ASME B40.100 100 mm: ±1% of span per EN837-1
Dial Sizes:	63 mm (2½"); 100 mm (4")
Ranges:	Vacuum, compound, 15 to 15,000 psi, bar, kPa, MPa, kg/cm², (available in single or dual scale)
Working Pressure:	Steady: 75% full-scale value Fluctuating: 80% full-scale value Short Time: full-scale value
Over Pressure/ Proof Pressure:	≤100 bar ranges: 125% of maximum scale value >100 to ≤600 bar ranges: 115% of maximum scale value >600 to ≤1000 bar ranges: 110% of maximum scale value
Process Connection Location:	63 mm: Lower or center back 100 mm: Lower or lower back
Process Connection Sizes:	63 mm: ⅛ NPT, ¼ NPT, G¼ B, ¼ BSPT, SAE-4 ⅜-20, M14x1.5, #4JIC 100 mm: ¼ NPT, ½ NPT, G¼ B, G½ B, M20x1.5, ¼ BSPT, ½ BSPT
Dial:	Black figures on white background (blue secondary scale for dual scale dials); aluminum
Pointer:	Black, aluminum
Movement:	Brass
Dampening:	FlutterGuard™, Glycerin fill, Silicone fill
Temperature Effects:	±0.04% of span per °C change; reference temp. 20 °C ±0.4% of span per 18 °F change; reference temp. 68 °F
Approvals:	RoHS (EU Directives 2011/65/EU and 2015/863); PED (2014/68/EU); CRN; IP 66 rating; NEMA 4 for water and dust ingress; CE, UKCA

### KEY BENEFITS

- Rugged design for OEM applications
- Cost effective for high volume applications
- Retrofits existing applications
- Customizable for new applications

### WETTED COMPONENTS

Bourdon Tube	Process Connection	Restrictor
Bronze (vacuum - 8,700 psi & compound) 316 SS (10,000 psi - 15,000 psi)	Brass/Soldered (vacuum - 8,700 psi & compound) Brass/Brazed (10,000 psi & 15,000 psi)	Brass (0.013" orifice)

### NON-WETTED COMPONENTS

Case	Window	Ring
304 SS	Polycarbonate, glass, or safety glass	304 SS, crimped

### MIN/MAX TEMPERATURE LIMITS

Version	Ambient	Process	Storage
Dry with FlutterGuard™	-40 °F to 158 °F (-40 °C to 70 °C)	-40 °F to 158 °F (-40 °C to 70 °C)	-40 °F to 158 °F (-40 °C to 70 °C)
Glycerin Fill	20 °F to 158 °F (-7 °C to 70 °C)	-4 °F to 158 °F (-20 °C to 70 °C)	-40 °F to 158 °F (-40 °C to 70 °C)
Silicone Fill	-40 °F to 158 °F (-40 °C to 70 °C)	-40 °F to 158 °F (-40 °C to 70 °C)	-40 °F to 158 °F (-40 °C to 70 °C)

## Data Sheet

### 8008A Commercial Pressure Gauge

ORDERING CODE	Example:	63	8008A	4	G	02	L	P	0	L	10BR	XZQ
<b>Dial Size</b>												
63 - 63 mm / 2½"		63										
10 - 100 mm / 4"												
<b>Model</b>												
8008A - Pressure gauge			8008A									
<b>Case/Ring Material</b>												
4 - 304 Stainless Steel				4								
<b>Fill</b>												
F - Dry with FlutterGuard™												
G - Glycerine filled					G							
S - Silicone filled												
N - Dry, Silicone free												
T - Dry, with silicone free FlutterGuard™												
<b>Process Connection Sizes</b>												
01 - ⅛ NPT Male (63 mm only)												
02 - ¼ NPT Male						02						
04 - ½ NPT Male (100 mm only)												
13 - G¼ B Male												
15 - G½ B Male (100 mm only)												
KA - ¼ BSPT												
RW - SAE-4 7/16-20 (63 mm only)												
16 - M20x1.5 (100 mm only)												
41 - M14x1.5												
EJ - #4JIC (63 mm only)												
KD - ½ BSPT (100 mm only)												
<b>Process Connection Location</b>												
B - Lower-back (100 mm only)												
C - Center-back (63 mm only)												
D - 3 o'clock (right side)												
E - 9 o'clock (left side)												
L - Lower							L					
T - Top												
<b>Window Material</b>												
P - Polycarbonate								P				
R - Regular glass												
S - Safety glass												
<b>Case Mounting</b>												
0 - Stem mounting									0			
1 - U-clamp (connection mounted) NA with lower connection												
2 - Front flange (lower back and center back only)												
3 - Back flange (63 mm lower and center back connection, 100 mm lower only)												
4 - Front flange and U-clamp (center back only, connection mounted)												
5 - Trim ring and U-clamp (connection mounted) NA with lower connection												
6 - U-clamp (case mounted) NA with lower connection												
8 - Front flange and U-clamp (case mounted) NA with lower connection												
9 - Trim ring and U-clamp (case mounted) NA with lower connection												
<b>Accuracy</b>												
J - ±1% of span												
L - ±1.6% of span										L		
M - ±2-1-2% of span												
<b>Ranges (coding examples only, see Table 1 for all standard ranges)</b>												
10BR - 10 Bar												
<b>Options (If choosing an option(s) must include an "X" (See Table 2 on page 4 for more options)</b>												
ZQ - Customer part number only on label (no Ashcroft)												ZQ

## 8008A Commercial Pressure Gauge

TABLE 1 - COMMERCIAL GAUGE PRESSURE RANGES					
psi	bar	kPa	Mpa	kg/cm <sup>2</sup>	NOTES
301MV	-1BR	-100KP	-.1MP	-1KSC	100 mm gauge only available as liquid filled for these ranges.
-	-1&.6BR	-100&60KP	-.1&.06MP	-1&.6KSC	
V&15#	-	-	-	-	
-	-1&1.5BR	-100&150KP	-.1&.15MP	-1&1.5KSC	
V&30#	-	-	-	-	
-	-1&3BR	-100&300KP	-.1&.3MP	-1&3KSC	
V&60#	-	-	-	-	
-	-1&5BR	-100&500KP	-.1&.5MP	-1&5KSC	
V&100#	-	-	-	-	
V&150#	-	-	-	-	
V&200#	-	-	-	-	
V&300#	-	-	-	-	
V&400#	-	-	-	-	
-	-1&9BR	-100&900KP	-.1&.9MP	-1&9KSC	100 mm gauge only available as liquid filled for these ranges.
15#	1BR	100KP	.1MP	1KSC	
20#	-	-	-	-	
-	1.6BR	160KP	.16MP	1.6KSC	
30#	-	-	-	-	
-	2.5BR	250KP	.25MP	2.5KSC	
60#	4BR	400KP	.4MP	4KSC	
-	6BR	600KP	.6MP	6KSC	
100#	-	-	-	-	
120#	-	-	-	-	
-	10BR	1,000KP	1MP	10KSC	
160#	-	-	-	-	
200#	-	-	-	-	
-	16BR	1,600KP	1.6MP	16KSC	
300#	-	-	-	-	
-	25BR	2,500KP	2.5MP	25KSC	
400#	-	-	-	-	
500#	-	-	-	-	
600#	40BR	4,000KP	4MP	40KSC	
800#	-	-	-	-	
-	60BR	6,000KP	6MP	60KSC	
1000#	-	-	-	-	
1500#	100BR	10,000KP	10MP	100KSC	
2000#	-	-	-	-	
-	160BR	16,000KP	16MP	160KSC	
3000#	-	-	-	-	
-	250BR	25,000KP	25MP	250KSC	
4000#	-	-	-	-	
5000#	-	-	-	-	
6000#	400BR	40,000KP	40MP	400KSC	
8000#	-	-	-	-	
-	600BR	60,000KP	60MP	600KSC	
10000#	-	-	-	-	
15000#	1000BR	100,000KP	100MP	1,000KSC	

# Data Sheet

## 8008A Commercial Pressure Gauge

**TABLE 2 - OPTIONS - Continued**

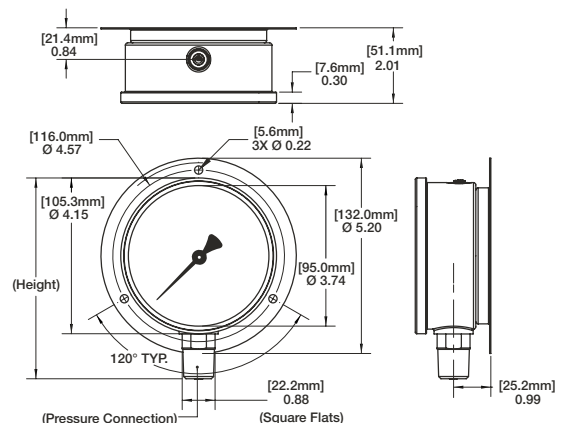
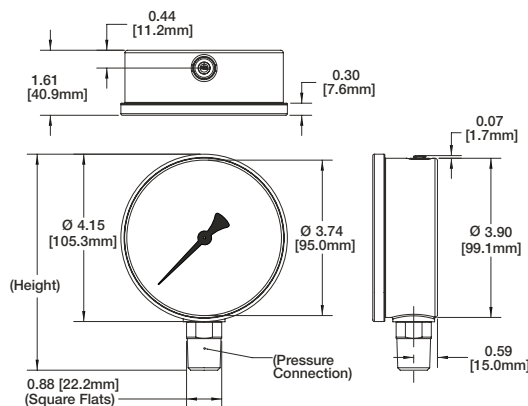
WP - Omit restrictor (throttle plug)
ZO - Bulk packaging
ZP - Customer part number and description on Ashcroft label
ZW - Customer part number and gauge description on label (no Ashcroft)
B1 - Black protective boot (63 mm only)
S2 - Safety pattern gauge without baffle wall: designed by S2 per EN837-1 (only available on 63 mm gauge having a polycarbonate window)
T4 - 0.007" Orifice Restrictor
T7 - 0.020" Orifice Restrictor
T8 - 0.031" Orifice Restrictor
T9 - 0.063" Orifice Restrictor
99 - Serial number on dial
AR - Adjustable red indicator and min/max drag pointer (63 mm dry gauge only)
BM - Black primary and secondary dial scales on white background
CR - Custom individual carton label information
RM - Black primary and red secondary dial scales on white background

### DIMENSIONS in [ ] are millimeters

For reference only, consult Ashcroft for specific dimensional drawings

100 mm lower connect		
Connection Code	Pressure Connection	Height
02	¼ NPT	5.25 [133.4]
04	½ NPT	5.35 [135.9]
13	G¼ B	5.12 [130.0]
15	G½ B	5.44 [138.2]
41	M14x1.5	5.24 [133.1]
16	M20x1.5	5.44 [138.1]
KA	¼ BSPT	5.16 [131.1]
KD	½ BSPT	5.35 [135.9]

100 mm lower connect - rear flange		
Connection Code	Pressure Connection	Height
02	¼ NPT	5.25 [133.4]
04	½ NPT	5.35 [135.9]
13	G¼ B	5.12 [130.0]
15	G½ B	5.44 [138.2]
41	M14x1.5	5.24 [133.1]
16	M20x1.5	5.44 [138.1]
KA	¼ BSPT	5.16 [131.1]
KD	½ BSPT	5.35 [135.9]



# Data Sheet

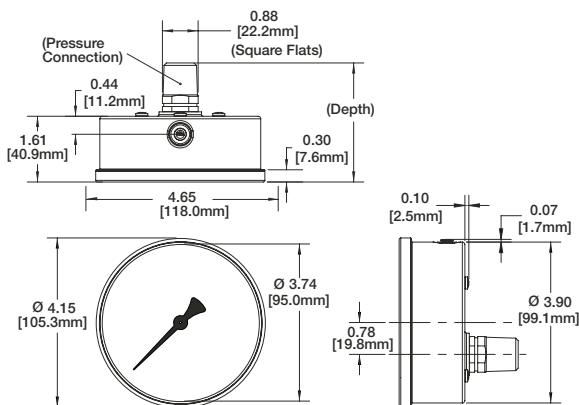
## 8008A Commercial Pressure Gauge

**DIMENSIONS** in [ ] are millimeters

For reference only, consult Ashcroft for specific dimensional drawings

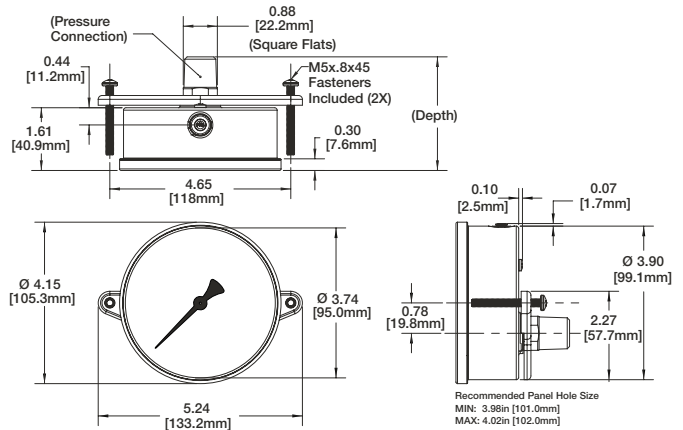
### 100 mm lower back connect

Connection Code	Pressure Connection	Depth
02	¼ NPT	2.82 [71.6]
04	½ NPT	2.92 [74.1]
13	G¼ B	2.69 [68.3]
15	G½ B	3.01 [76.3]
41	M14x1.5	2.81 [71.4]
16	M20x1.5	3.01 [76.3]
KA	¼ BSPT	2.73 [69.3]
KD	½ BSPT	2.92 [74.1]



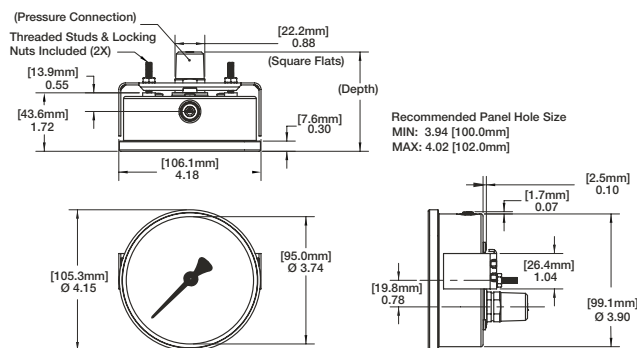
### 100 mm lower back connect - connection mounted U-clamp

Connection Code	Pressure Connection	Depth
02	¼ NPT	2.82 [71.6]
04	½ NPT	2.92 [74.1]
13	G¼ B	2.69 [68.3]
15	G½ B	3.01 [76.3]
41	M14x1.5	2.81 [71.4]
16	M20x1.5	3.01 [76.3]
KA	¼ BSPT	2.73 [69.3]
KD	½ BSPT	2.92 [74.1]



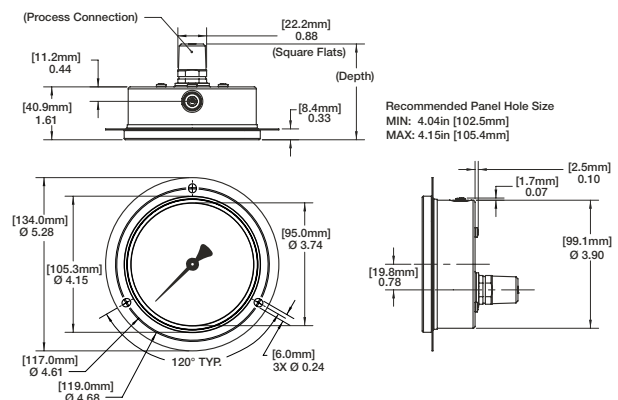
### 100 mm lower back connect - case mounted U-clamp

Connection Code	Pressure Connection	Depth
02	¼ NPT	2.82 [71.6]
04	½ NPT	2.92 [74.1]
13	G¼ B	2.69 [68.3]
15	G½ B	3.01 [76.3]
41	M14x1.5	2.81 [71.4]
16	M20x1.5	3.01 [76.3]
KA	¼ BSPT	2.73 [69.3]
KD	½ BSPT	2.92 [74.1]



### 100 mm lower back connect - front flange

Connection Code	Pressure Connection	Depth
02	¼ NPT	2.82 [71.6]
04	½ NPT	2.92 [74.1]
13	G¼ B	2.69 [68.3]
15	G½ B	3.01 [76.3]
41	M14x1.5	2.81 [71.4]
16	M20x1.5	3.01 [76.3]
KA	¼ BSPT	2.73 [69.3]
KD	½ BSPT	2.92 [74.1]



# Data Sheet

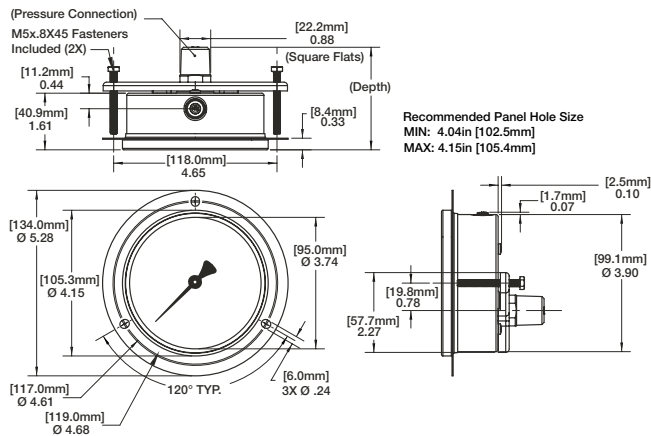
## 8008A Commercial Pressure Gauge

### DIMENSIONS in [ ] are millimeters

For reference only, consult Ashcroft for specific dimensional drawings

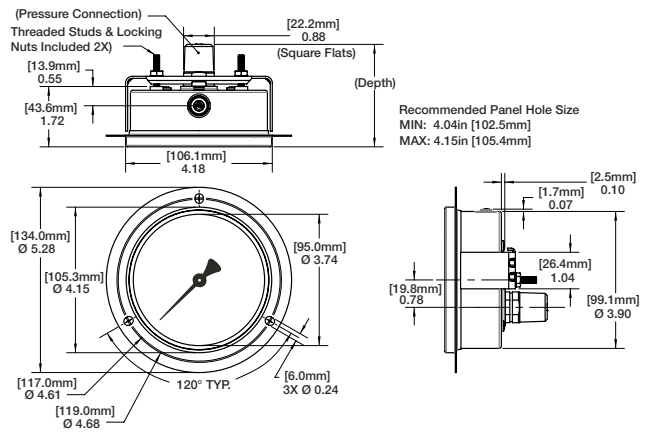
#### 100 mm lower back connect - front flange/connection mounted U-clamp

Connection Code	Pressure Connection	Depth
02	¼ NPT	2.82 [71.6]
04	½ NPT	2.92 [74.1]
13	G¼ B	2.69 [68.3]
15	G½ B	3.01 [76.3]
41	M14x1.5	2.81 [71.4]
16	M20x1.5	3.01 [76.3]
KA	¼ BSPT	2.73 [69.3]
KD	½ BSPT	2.92 [74.1]



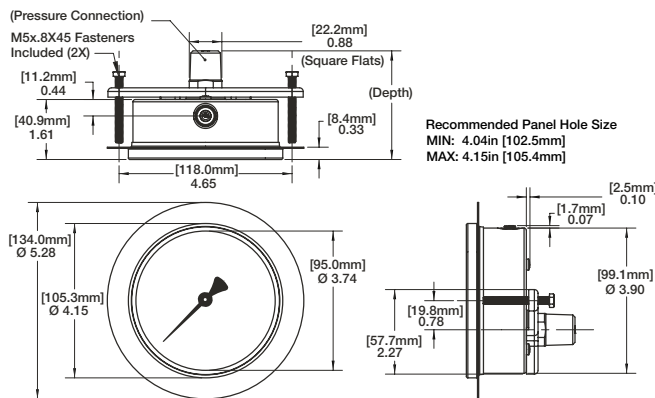
#### 100 mm lower back connect - front flange/case mounted U-clamp

Connection Code	Pressure Connection	Depth
02	¼ NPT	2.82 [71.6]
04	½ NPT	2.92 [74.1]
13	G¼ B	2.69 [68.3]
15	G½ B	3.01 [76.3]
41	M14x1.5	2.81 [71.4]
16	M20x1.5	3.01 [76.3]
KA	¼ BSPT	2.73 [69.3]
KD	½ BSPT	2.92 [74.1]



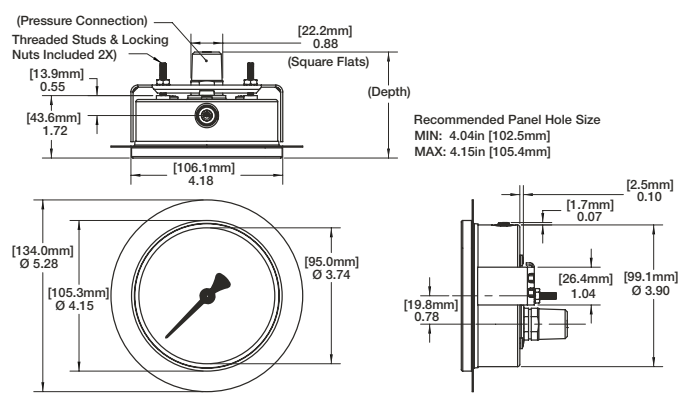
#### 100 mm lower back connect - trim ring connection mounted U-clamp

Connection Code	Pressure Connection	Depth
02	¼ NPT	2.82 [71.6]
04	½ NPT	2.92 [74.1]
13	G¼ B	2.69 [68.3]
15	G½ B	3.01 [76.3]
41	M14x1.5	2.81 [71.4]
16	M20x1.5	3.01 [76.3]
KA	¼ BSPT	2.73 [69.3]
KD	½ BSPT	2.92 [74.1]



#### 100 mm lower back connect - trim ring case mounted U-clamp

Connection Code	Pressure Connection	Depth
02	¼ NPT	2.82 [71.6]
04	½ NPT	2.92 [74.1]
13	G¼ B	2.69 [68.3]
15	G½ B	3.01 [76.3]
41	M14x1.5	2.81 [71.4]
16	M20x1.5	3.01 [76.3]
KA	¼ BSPT	2.73 [69.3]
KD	½ BSPT	2.92 [74.1]



# Data Sheet

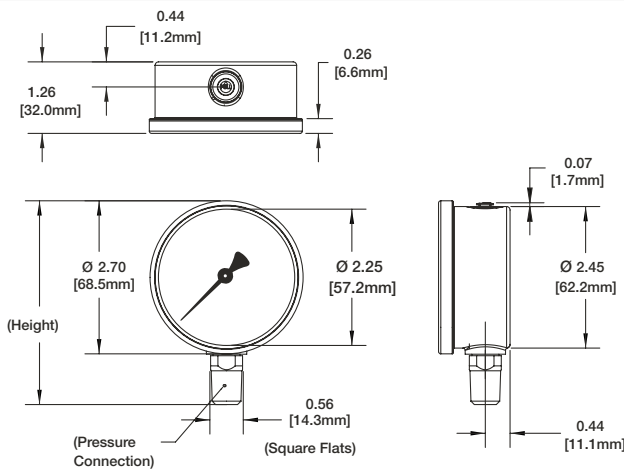
## 8008A Commercial Pressure Gauge

### DIMENSIONS in [ ] are millimeters

For reference only, consult Ashcroft for specific dimensional drawings

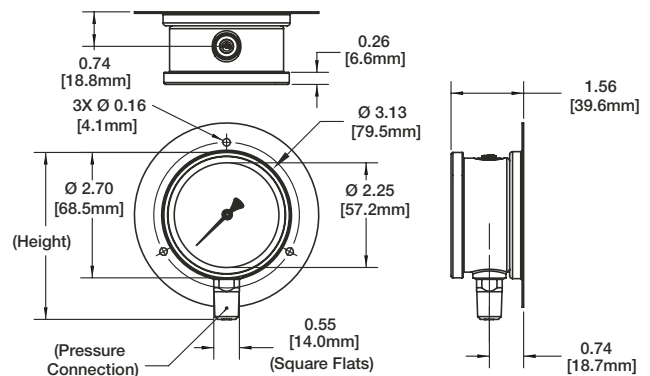
#### 63 mm lower connect

Connection Code	Pressure Connection	Height
01	1/8 NPT	3.50 [89.0]
02	1/4 NPT	3.59 [91.1]
13	G1/4 B	3.58 [91.0]
KA	1/4 BSPT	3.51 [89.2]
RW	SAE-4 7/16-20	3.69 [93.8]
41	M14 X 1.5	3.62 [92.0]
EJ	#4JIC	3.53 [89.6]



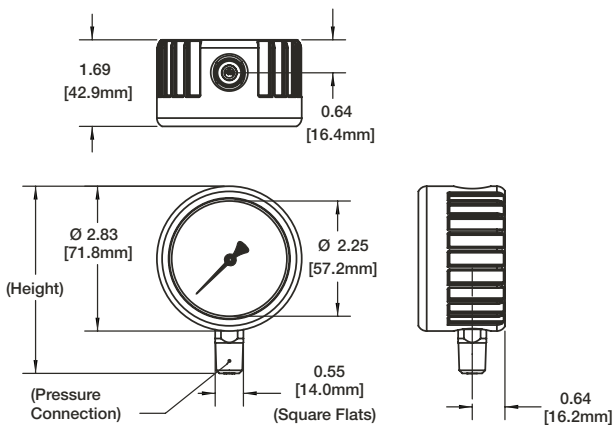
#### 63 mm lower connect - rear flange

Connection Code	Pressure Connection	Height
01	1/8 NPT	3.50 [89.0]
02	1/4 NPT	3.59 [91.1]
13	G1/4 B	3.58 [91.0]
KA	1/4 BSPT	3.51 [89.2]
RW	SAE-4 7/16-20	3.69 [93.8]
41	M14 X 1.5	3.62 [92.0]
EJ	#4JIC	3.53 [89.6]



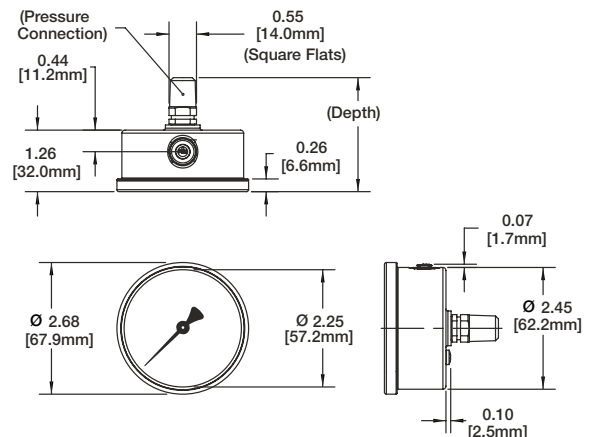
#### 63 mm lower connect with protective boot

Connection Code	Pressure Connection	Height
01	1/8 NPT	3.57 [90.7]
02	1/4 NPT	3.66 [92.9]
13	G1/4 B	3.65 [92.7]
KA	1/4 BSPT	3.58 [90.9]
RW	SAE-4 7/16-20	3.76 [95.9]
41	M14 X 1.5	3.69 [93.7]
EJ	#4JIC	3.60 [91.4]



#### 63 mm center back connect

Connection Code	Pressure Connection	Depth
01	1/8 NPT	2.23 [56.6]
02	1/4 NPT	2.39 [60.7]
13	G1/4 B	2.39 [60.7]
KA	1/4 BSPT	2.39 [60.7]
RW	SAE-4 7/16-20	2.39 [60.7]
41	M14 X 1.5	2.39 [60.7]
EJ	#4JIC	2.39 [60.7]



# Data Sheet

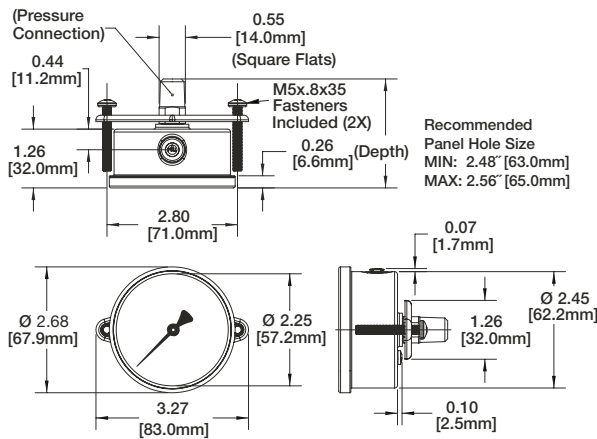
## 8008A Commercial Pressure Gauge

### DIMENSIONS in [ ] are millimeters

For reference only, consult Ashcroft for specific dimensional drawings

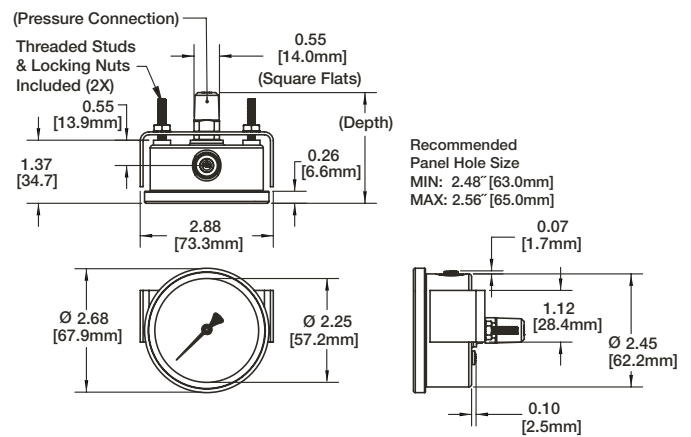
#### 63 mm center back connect - connection mounted U-clamp

Connection Code	Pressure Connection	Depth
01	1/8" NPT	2.23 [56.6]
02	1/4" NPT	2.39 [60.7]
13	G1/4 B	2.39 [60.7]
KA	1/4" BSPT	2.39 [60.7]
RW	SAE-4 7/16-20	2.40 [60.9]
41	M14 X 1.5	2.39 [60.7]
EJ	#4JIC	2.39 [60.7]



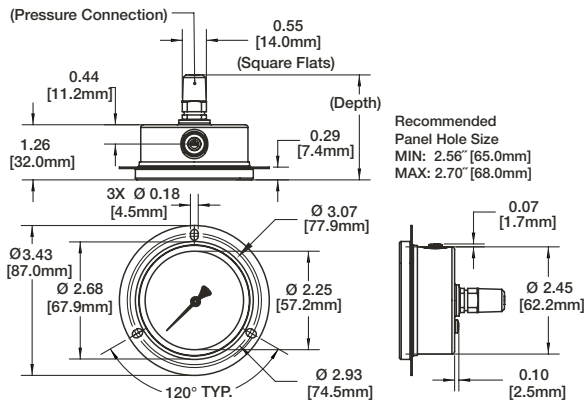
#### 63 mm center back connect - case mounted U-clamp

Connection Code	Pressure Connection	Depth
01	1/8" NPT	2.23 [56.6]
02	1/4" NPT	2.39 [60.7]
13	G1/4 B	2.39 [60.7]
KA	1/4" BSPT	2.39 [60.7]
RW	SAE-4 7/16-20	2.40 [60.9]
41	M14 X 1.5	2.39 [60.7]
EJ	#4JIC	2.39 [60.7]



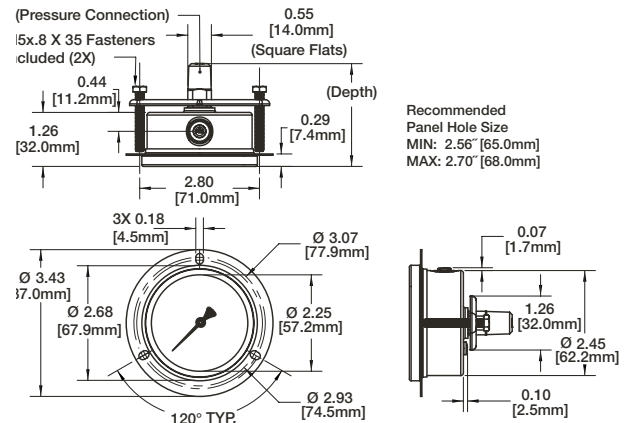
#### 63 mm center back connect - front flange

Connection Code	Pressure Connection	Depth
01	1/8" NPT	2.23 [56.6]
02	1/4" NPT	2.39 [60.7]
13	G1/4 B	2.39 [60.7]
KA	1/4" BSPT	2.39 [60.7]
RW	SAE-4 7/16-20	2.40 [60.9]
41	M14 X 1.5	2.39 [60.7]
EJ	#4JIC	2.39 [60.7]



#### 63 mm center back connect - front flange/connection mounted U-clamp

Connection Code	Pressure Connection	Depth
01	1/8" NPT	2.23 [56.6]
02	1/4" NPT	2.39 [60.7]
13	G1/4 B	2.39 [60.7]
KA	1/4" BSPT	2.39 [60.7]
RW	SAE-4 7/16-20	2.40 [60.9]
41	M14 X 1.5	2.39 [60.7]
EJ	#4JIC	2.39 [60.7]





# Data Sheet

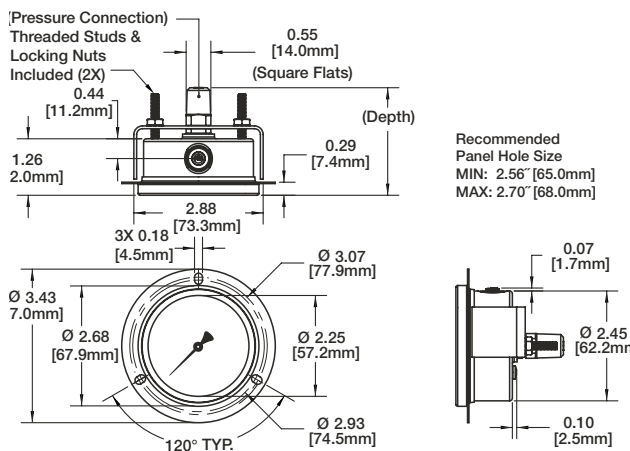
## 8008A Commercial Pressure Gauge

### DIMENSIONS in [ ] are millimeters

For reference only, consult Ashcroft for specific dimensional drawings

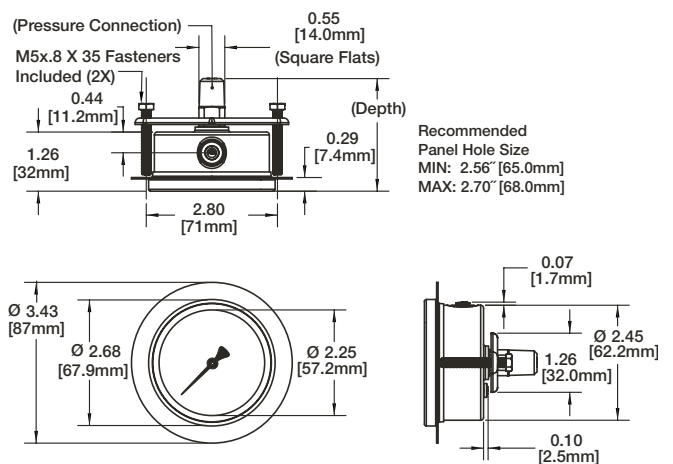
#### 63 mm center back connect - front flange/case mounted U-clamp

Connection Code	Pressure Connection	Depth
01	1/8 NPT	2.23 [56.6]
02	1/4 NPT	2.39 [60.7]
13	G1/4 B	2.39 [60.7]
KA	1/4 BSPT	2.39 [60.7]
RW	SAE-4 7/16-20	2.40 [60.9]
41	M14 X 1.5	2.39 [60.7]
EJ	#4JIC	2.39 [60.7]



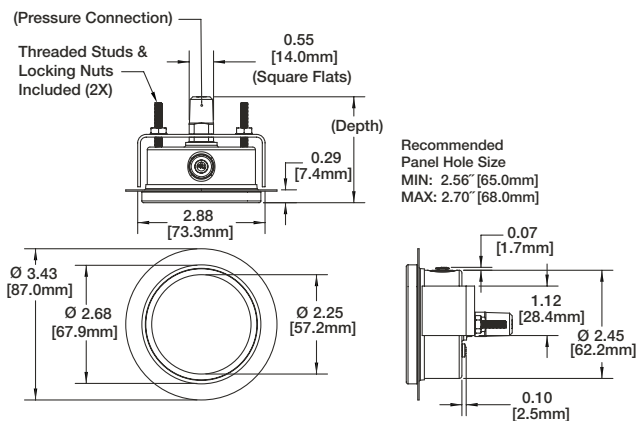
#### 63 mm center back connect - trim ring/connection mounted U-clamp

Connection Code	Pressure Connection	Depth
01	1/8 NPT	2.23 [56.6]
02	1/4 NPT	2.39 [60.7]
13	G1/4 B	2.39 [60.7]
KA	1/4 BSPT	2.39 [60.7]
RW	SAE-4 7/16-20	2.40 [60.9]
41	M14 X 1.5	2.39 [60.7]
EJ	#4JIC	2.39 [60.7]



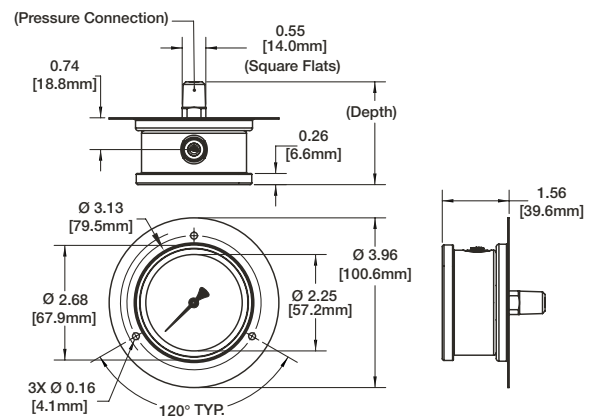
#### 63 mm center back connect - trim ring/case mounted U-clamp

Connection Code	Pressure Connection	Depth
01	1/8 NPT	2.23 [56.6]
02	1/4 NPT	2.39 [60.7]
13	G1/4 B	2.39 [60.7]
KA	1/4 BSPT	2.39 [60.7]
RW	SAE-4 7/16-20	2.40 [60.9]
41	M14 X 1.5	2.39 [60.7]
EJ	#4JIC	2.39 [60.7]



#### 63 mm center back connect - rear flange

Connection Code	Pressure Connection	Depth
01	1/8 NPT	2.23 [56.6]
02	1/4 NPT	2.39 [60.7]
13	G1/4 B	2.39 [60.7]
KA	1/4 BSPT	2.39 [60.7]
RW	SAE-4 7/16-20	2.40 [60.9]
41	M14 X 1.5	2.39 [60.7]
EJ	#4JIC	2.39 [60.7]



# Data Sheet

## 8008A Commercial Pressure Gauge

### DIMENSIONS in [ ] are millimeters

For reference only, consult Ashcroft for specific dimensional drawings

#### 63 mm center back connect with protective boot

Connection Code	Pressure Connection	Depth
01	½ NPT	2.45 [62.3]
02	¼ NPT	2.62 [66.5]
13	G¼ B	2.62 [66.5]
KA	¼ BSPT	2.62 [66.5]
RW	SAE-4 7/16-20	2.62 [66.5]
41	M14 X 1.5	2.62 [66.5]
EJ	#4JIC	2.62 [66.5]

