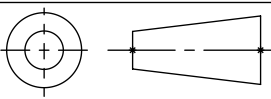


Third angle projection



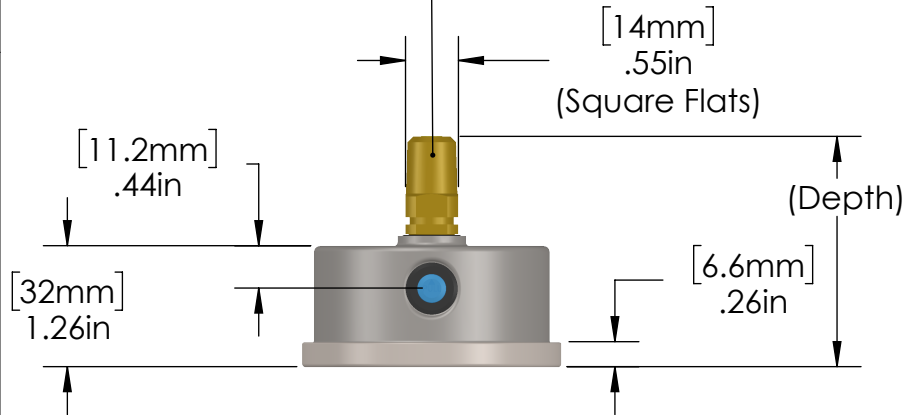
This drawing includes confidential information which is the property of ASHCROFT INC. This copy is loaned for the specific purpose, with the understanding that it will not be reproduced or used for any other purpose or disclosed to others, and it will be returned on demand.

**ASHCROFT**

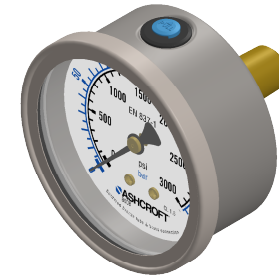
250 EAST MAIN STREET,  
STRATFORD, CT 06614

REV	ECO	DESCRIPTION	BY	DATE
A	8845	Initial Release	CMB	9/7/2016
B	9983	Changes to: Case OD, Ring ID, Wrench Flats	CMB	3/21/2019

(Pressure Connection)



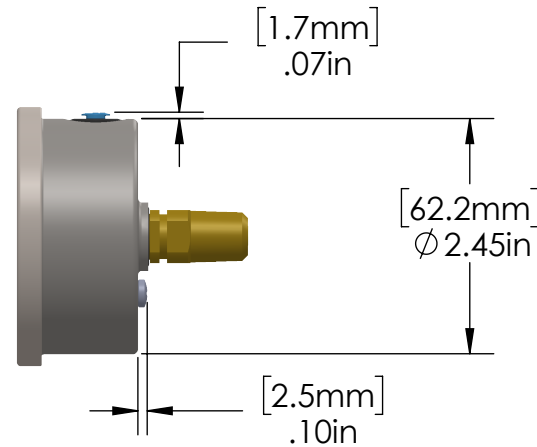
Connection Code	Pressure Connection	Depth in [mm]
01	1/8 NPT	2.23 [56.6]
02	1/4 NPT	2.39 [60.7]
13	G1/4B	2.39 [60.7]
41	M14x1.5	2.39 [60.7]
KA	1/4 BSPT	2.39 [60.7]
EJ	JIC #4	2.39 [60.7]
RW	SAE 7/16-20	2.39 [60.7]



SCALE 1:2

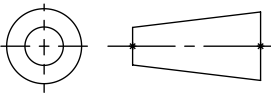


**(02 Connection Shown)**



This print certified correct for		General Dimensions			
Customer's Name		8008A Series Gauge			
		63mm Center Back Connection			
		Mounting Code "0" [Stem Mount]			
Customer's Order No.		Drawn	Date	Date of Issue	
Ashcroft Order No.		Patel, Priyank	3/5/2019	SHEET-1	Rev.
Certified by	Date			<b>070A4126</b>	<b>B</b>

Third angle projection



This drawing includes confidential information which is the property of ASHCROFT INC. This copy is loaned for the specific purpose, with the understanding that it will not be reproduced or used for any other purpose or disclosed to others, and it will be returned on demand.



250 EAST MAIN STREET,  
STRATFORD, CT 06614

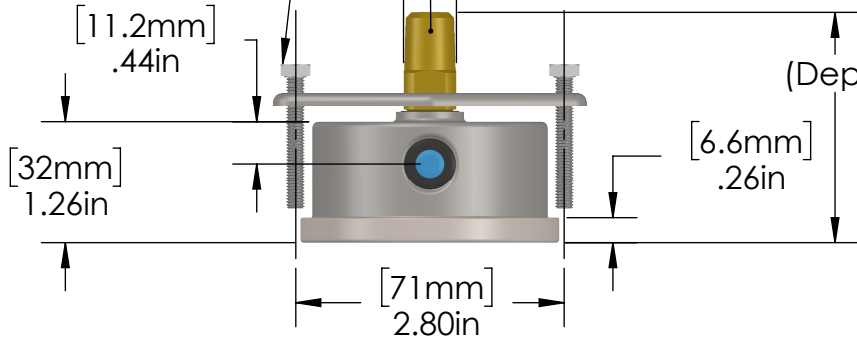
REV	ECO	DESCRIPTION	BY	DATE
A	8845	Initial Release	CMB	9/7/2016
B	9983	Changes to: Case OD, Ring ID, Wrench Flats	CMB	3/21/2019

(Pressure Connection)

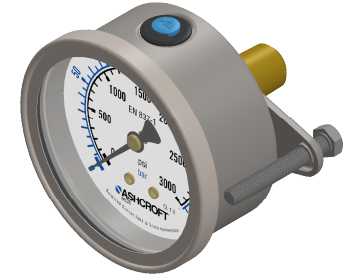
M5x.8 X 35 Fasteners  
Included (2X)

[14mm]  
.55in  
(Square Flats)

(Depth)



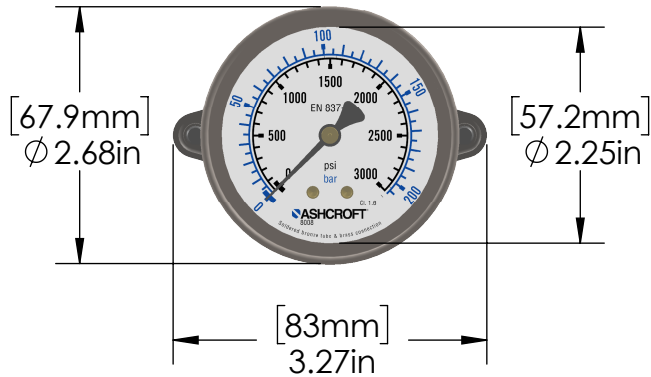
Connection Code	Pressure Connection	Depth in [mm]
01	1/8 NPT	2.23 [56.6]
02	1/4 NPT	2.39 [60.7]
13	G1/4B	2.39 [60.7]
41	M14x1.5	2.39 [60.7]
KA	1/4 BSPT	2.39 [60.7]
EJ	JIC #4	2.39 [60.7]
RW	SAE 7/16-20	2.39 [60.7]



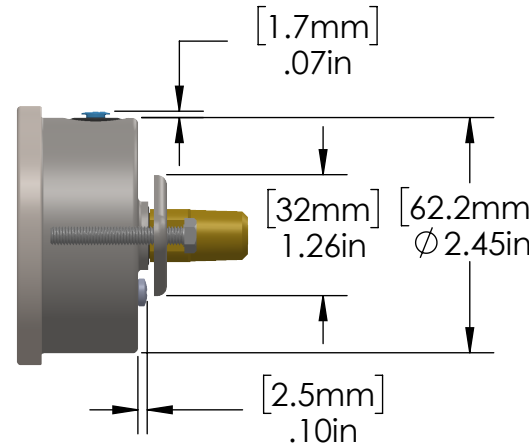
**Recommended Panel Hole Size**

SCALE 1:2

**MIN: 2.48in [63.0mm]  
MAX: 2.56in [65.0mm]**

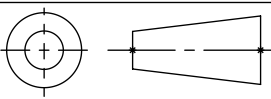


**(02 Connection Shown)**



This print certified correct for		General Dimensions			
Customer's Name		8008A Series Gauge			
		63mm Center Back Connection			
		Mounting Code "1" [Panel Mount (Socket)]			
Customer's Order No.		Drawn	Date	Date of Issue	
Ashcroft Order No.		Patel, Priyank	3/5/2019	SHEET-2	Rev.
Certified by	Date			<b>070A4126</b>	<b>B</b>

Third angle projection



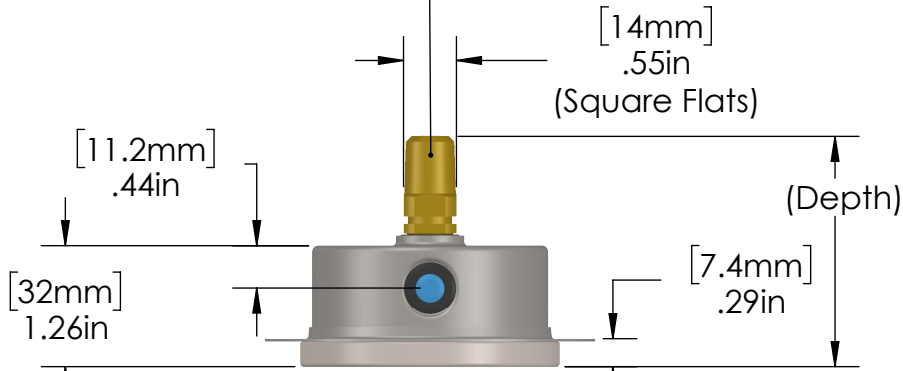
This drawing includes confidential information which is the property of ASHCROFT INC. This copy is loaned for the specific purpose, with the understanding that it will not be reproduced or used for any other purpose or disclosed to others, and it will be returned on demand.



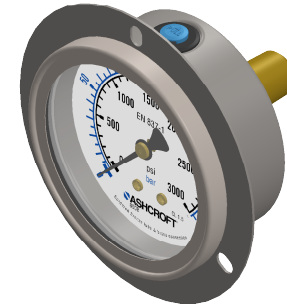
250 EAST MAIN STREET,  
STRATFORD, CT 06614

REV	ECO	DESCRIPTION	BY	DATE
A	8845	Initial Release	CMB	9/7/2016
B	9983	Changes to: Case OD, Ring ID, Wrench Flats	CMB	3/21/2019

(Pressure Connection)



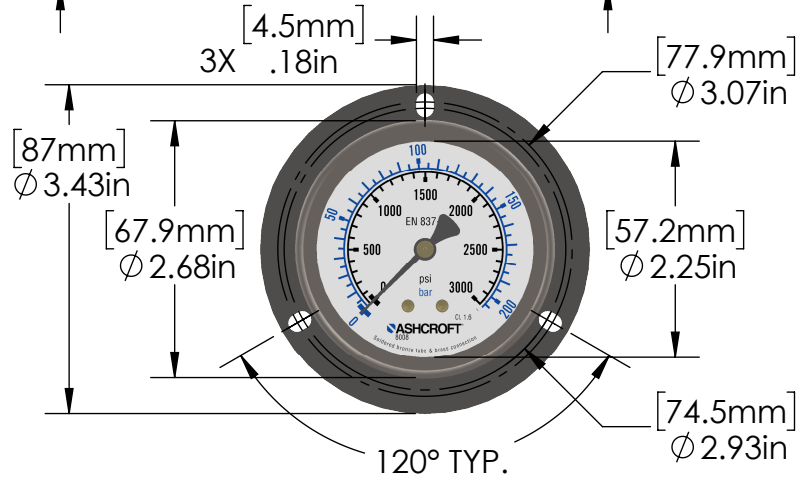
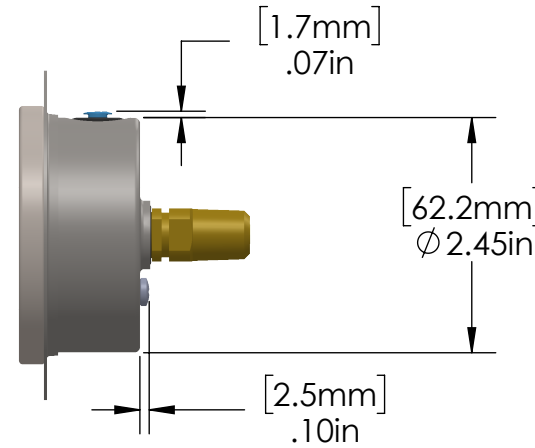
Connection Code	Pressure Connection	Depth in [mm]
01	1/8 NPT	2.23 [56.6]
02	1/4 NPT	2.39 [60.7]
13	G1/4B	2.39 [60.7]
41	M14x1.5	2.39 [60.7]
KA	1/4 BSPT	2.39 [60.7]
EJ	JIC #4	2.39 [60.7]
RW	SAE 7/16-20	2.39 [60.7]



**Recommended Panel Hole Size**

SCALE 1:2

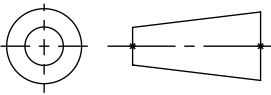
**MIN: 2.56in [65.0mm]  
MAX: 2.70in [68.0mm]**



**(02 Connection Shown)**

This print certified correct for		General Dimensions			
Customer's Name		8008A Series Gauge			
		63mm Center Back Connection			
		Mounting Code "2" [Front Flange]			
Customer's Order No.		Drawn	Date	Date of Issue	
Ashcroft Order No.		Patel, Priyank	3/5/2019	SHEET-3	
Certified by		Date		Rev.	
				070A4126 B	

Third angle projection



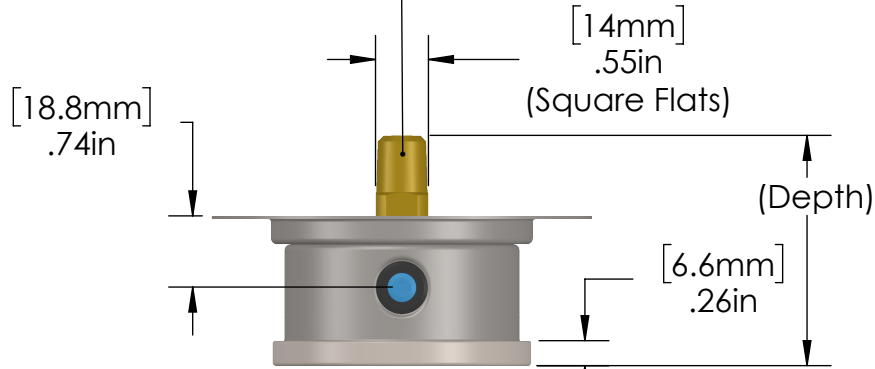
This drawing includes confidential information which is the property of ASHCROFT INC. This copy is loaned for the specific purpose, with the understanding that it will not be reproduced or used for any other purpose or disclosed to others, and it will be returned on demand.



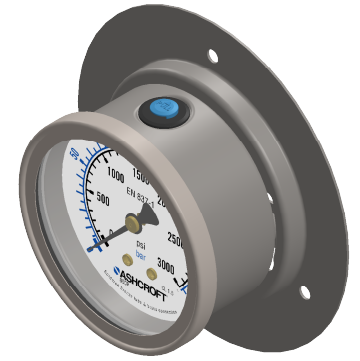
250 EAST MAIN STREET,  
STRATFORD, CT 06614

REV	ECO	DESCRIPTION	BY	DATE
A	8845	Initial Release	CMB	9/7/2016
B	9983	Changes to: Case OD, Ring ID, Wrench Flats	CMB	3/21/2019

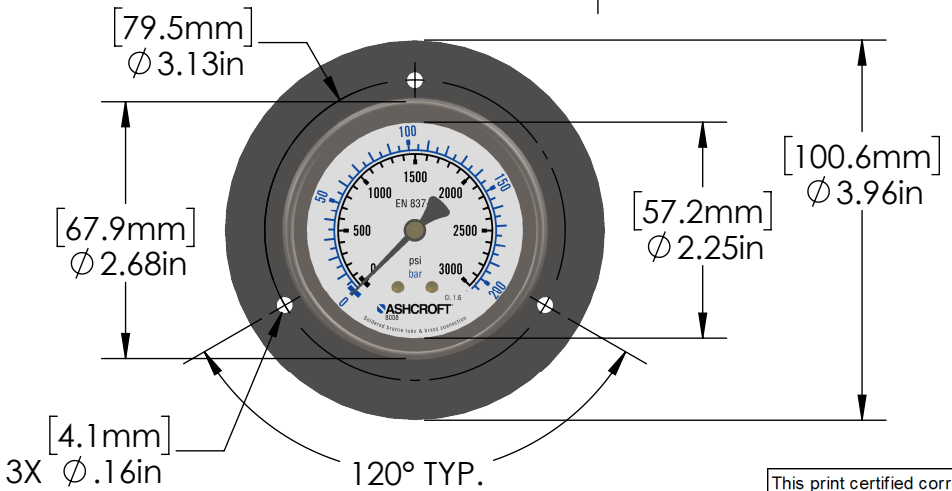
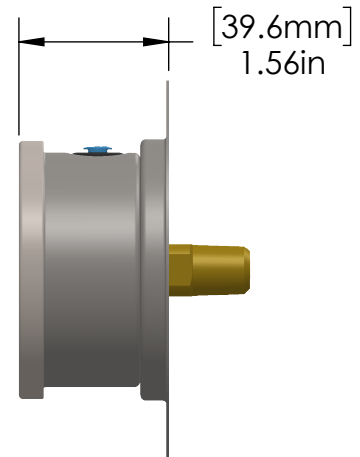
(Pressure Connection)



Connection Code	Pressure Connection	Depth in [mm]
01	1/8 NPT	2.23 [56.6]
02	1/4 NPT	2.39 [60.7]
13	G1/4B	2.39 [60.7]
41	M14x1.5	2.39 [60.7]
KA	1/4 BSPT	2.39 [60.7]
EJ	JIC #4	2.39 [60.7]
RW	SAE 7/16-20	2.39 [60.7]



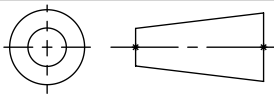
SCALE 1:2



**(02 Connection Shown)**

This print certified correct for		General Dimensions			
Customer's Name		8008A Series Gauge			
		63mm Center Back Connection			
		Mounting Code "3" [Rear Flange]			
Customer's Order No.		Drawn	Date	Date of Issue	
Ashcroft Order No.		Patel, Priyank	3/5/2019	SHEET-4	
Certified by	Date			070A4126	B

Third angle projection

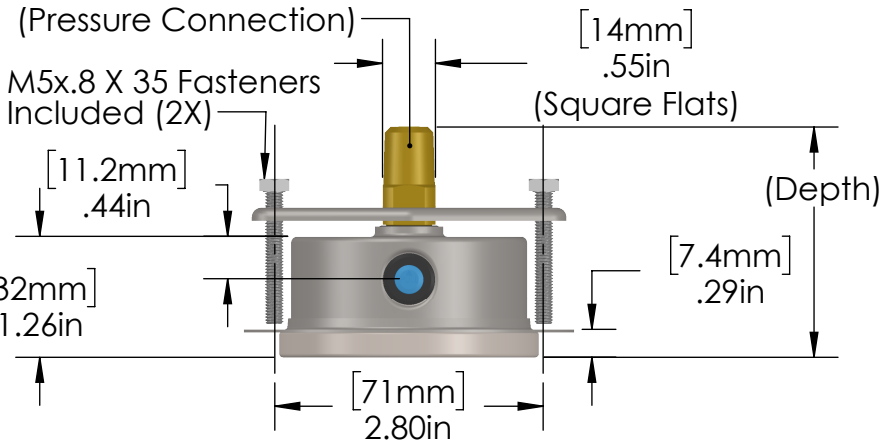


This drawing includes confidential information which is the property of ASHCROFT INC. This copy is loaned for the specific purpose, with the understanding that it will not be reproduced or used for any other purpose or disclosed to others, and it will be returned on demand.

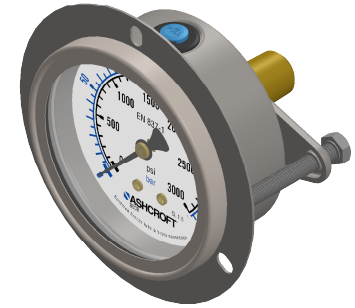


250 EAST MAIN STREET,  
STRATFORD, CT 06614

REV	ECO	DESCRIPTION	BY	DATE
A	8845	Initial Release	CMB	9/7/2016
B	9983	Changes to: Case OD, Ring ID, Wrench Flats	CMB	3/21/2019



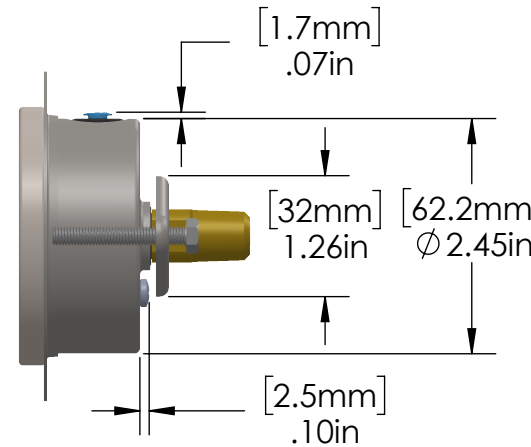
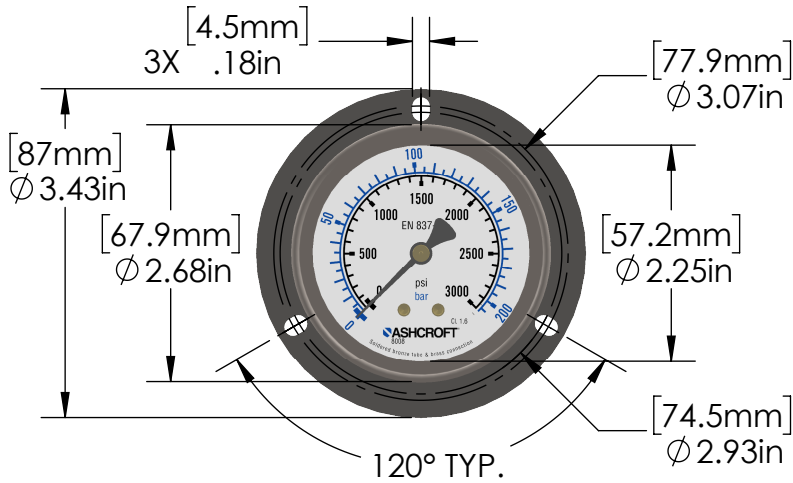
Connection Code	Pressure Connection	Depth in [mm]
01	1/8 NPT	2.23 [56.6]
02	1/4 NPT	2.39 [60.7]
13	G1/4B	2.39 [60.7]
41	M14x1.5	2.39 [60.7]
KA	1/4 BSPT	2.39 [60.7]
EJ	JIC #4	2.39 [60.7]
RW	SAE 7/16-20	2.39 [60.7]



**Recommended Panel Hole Size**

SCALE 1:2

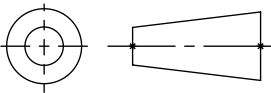
**MIN: 2.56in [65.0mm]**  
**MAX: 2.70in [68.0mm]**



**(02 Connection Shown)**

This print certified correct for		General Dimensions			
Customer's Name		8008A Series Gauge			
		63mm Center Back Connection			
		Mounting Code "4" [Panel Mount (Socket) & Front Flange]			
Customer's Order No.		Drawn	Date	Date of Issue	
Ashcroft Order No.		Patel, Priyank	3/5/2019	SHEET-5	Rev.
Certified by	Date			<b>070A4126</b>	<b>B</b>

Third angle projection



This drawing includes confidential information which is the property of ASHCROFT INC. This copy is loaned for the specific purpose, with the understanding that it will not be reproduced or used for any other purpose or disclosed to others, and it will be returned on demand.

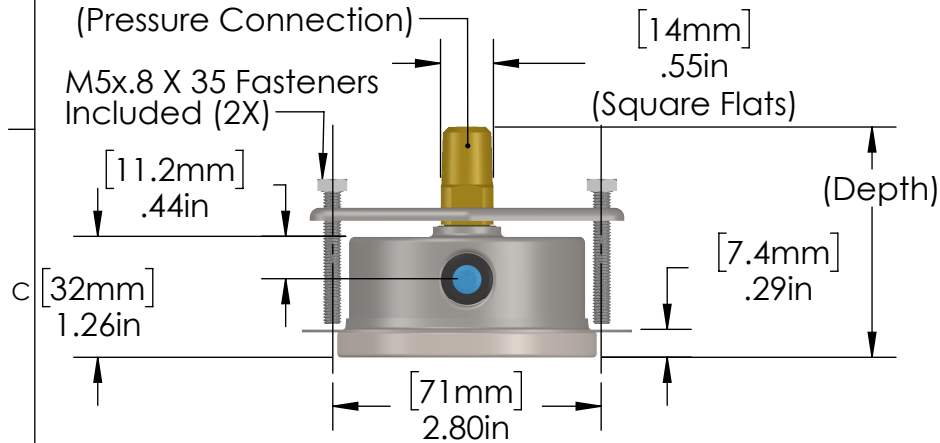


250 EAST MAIN STREET,  
STRATFORD, CT 06614

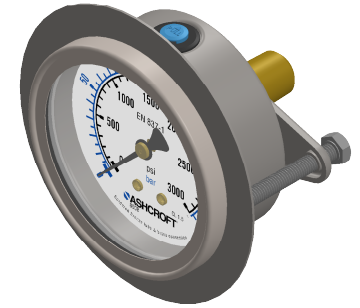
REV	ECO	DESCRIPTION	BY	DATE
A	8845	Initial Release	CMB	9/7/2016
B	9983	Changes to: Case OD, Ring ID, Wrench Flats	CMB	3/21/2019

(Pressure Connection)

M5x.8 X 35 Fasteners  
Included (2X)



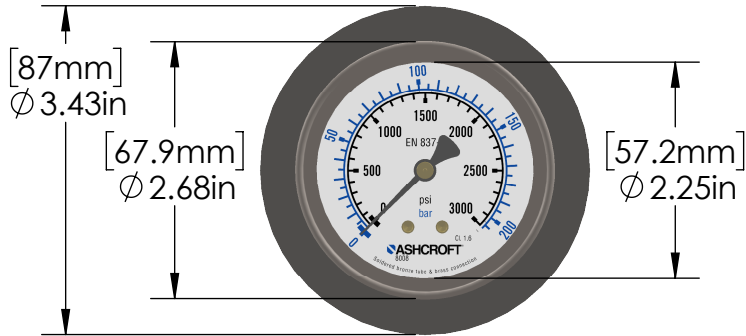
Connection Code	Pressure Connection	Depth in [mm]
01	1/8 NPT	2.23 [56.6]
02	1/4 NPT	2.39 [60.7]
13	G1/4B	2.39 [60.7]
41	M14x1.5	2.39 [60.7]
KA	1/4 BSPT	2.39 [60.7]
EJ	JIC #4	2.39 [60.7]
RW	SAE 7/16-20	2.39 [60.7]



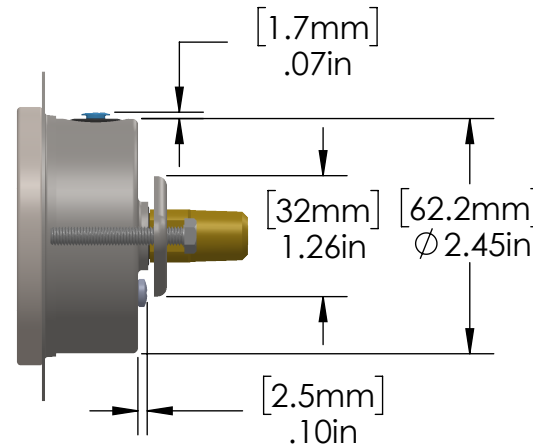
**Recommended Panel Hole Size**

SCALE 1:2

**MIN: 2.56in [65.0mm]**  
**MAX: 2.70in [68.0mm]**

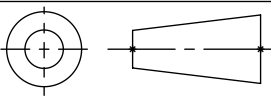


**(02 Connection Shown)**



This print certified correct for		General Dimensions			
Customer's Name		8008A Series Gauge			
		63mm Center Back Connection			
		Mounting Code "5" [Panel Mount (Socket) & Trim Ring]			
Customer's Order No.		Drawn	Date	Date of Issue	
Ashcroft Order No.		Patel, Priyank	3/5/2019	SHEET-6	Rev.
Certified by	Date			<b>070A4126</b>	<b>B</b>

Third angle projection

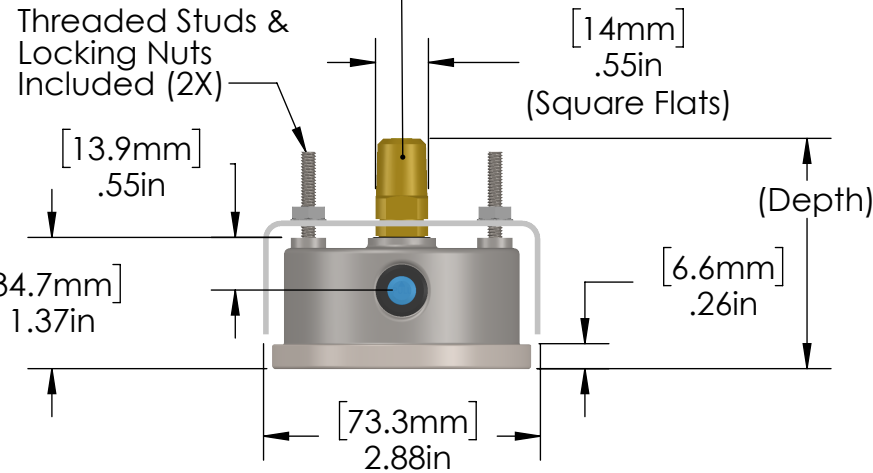


This drawing includes confidential information which is the property of ASHCROFT INC. This copy is loaned for the specific purpose, with the understanding that it will not be reproduced or used for any other purpose or disclosed to others, and it will be returned on demand.

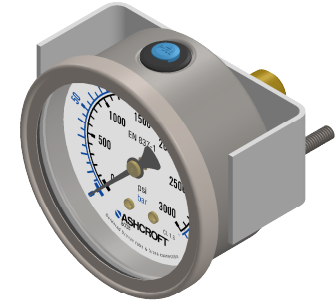
**ASHCROFT®**  
250 EAST MAIN STREET,  
STRATFORD, CT 06614

REV	ECO	DESCRIPTION	BY	DATE
A	8845	Initial Release	CMB	9/7/2016
B	9983	Changes to: Case OD, Ring ID, Wrench Flats	CMB	3/21/2019

(Pressure Connection)



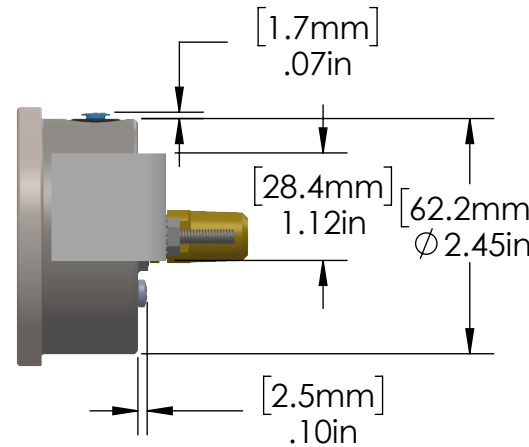
Connection Code	Pressure Connection	Depth in [mm]
01	1/8 NPT	2.23 [56.6]
02	1/4 NPT	2.39 [60.7]
13	G1/4B	2.39 [60.7]
41	M14x1.5	2.39 [60.7]
KA	1/4 BSPT	2.39 [60.7]
EJ	JIC #4	2.39 [60.7]
RW	SAE 7/16-20	2.39 [60.7]



**Recommended Panel Hole Size**

SCALE 1:2

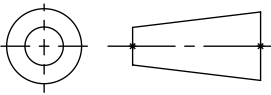
**MIN: 2.48in [63.0mm]**  
**MAX: 2.56in [65.0mm]**



**(02 Connection Shown)**

This print certified correct for		General Dimensions			
Customer's Name		8008A Series Gauge			
		63mm Center Back Connection			
		Mounting Code "6" [Panel Mount (Case)]			
Customer's Order No.		Drawn	Date	Date of Issue	
Ashcroft Order No.		Patel, Priyank	3/5/2019	SHEET-7	Rev.
Certified by	Date			<b>070A4126</b>	<b>B</b>

Third angle projection



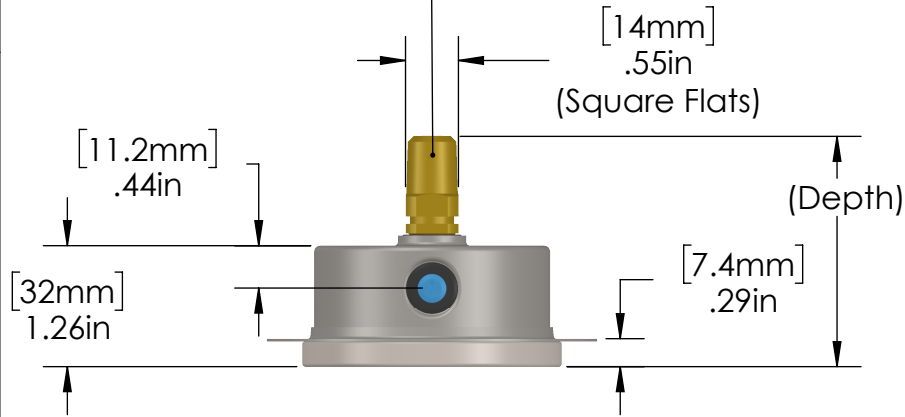
This drawing includes confidential information which is the property of ASHCROFT INC. This copy is loaned for the specific purpose, with the understanding that it will not be reproduced or used for any other purpose or disclosed to others, and it will be returned on demand.



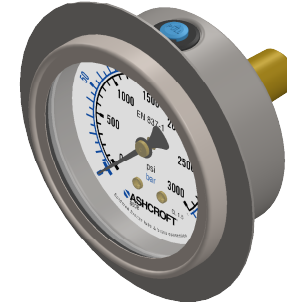
250 EAST MAIN STREET,  
STRATFORD, CT 06614

REV	ECO	DESCRIPTION	BY	DATE
A	8845	Initial Release	CMB	9/7/2016
B	9983	Changes to: Case OD, Ring ID, Wrench Flats	CMB	3/21/2019

(Pressure Connection)



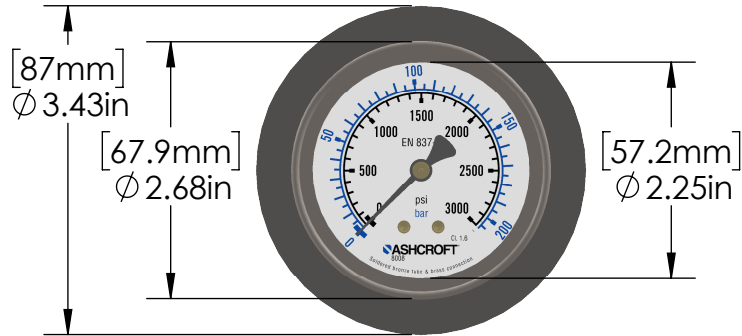
Connection Code	Pressure Connection	Depth in [mm]
01	1/8 NPT	2.23 [56.6]
02	1/4 NPT	2.39 [60.7]
13	G1/4B	2.39 [60.7]
41	M14x1.5	2.39 [60.7]
KA	1/4 BSPT	2.39 [60.7]
EJ	JIC #4	2.39 [60.7]
RW	SAE 7/16-20	2.39 [60.7]



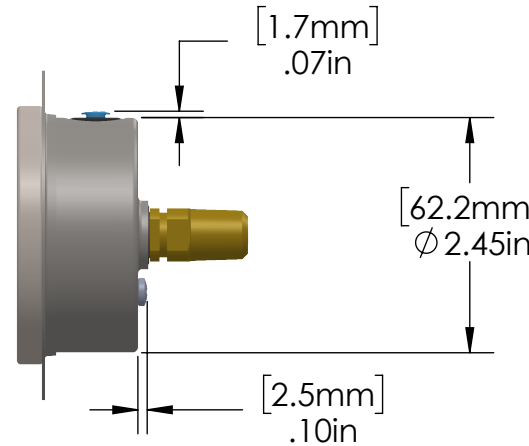
**Recommended Panel Hole Size**

SCALE 1:2

**MIN: 2.56in [65.0mm]**  
**MAX: 2.70in [68.0mm]**



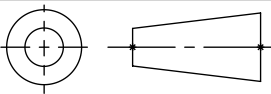
**(02 Connection Shown)**



This print certified correct for		General Dimensions			
Customer's Name		8008A Series Gauge			
		63mm Center Back Connection			
		Mounting Code "7" [Trim Ring]			
Customer's Order No.		Drawn	Date	Date of Issue	
Ashcroft Order No.		Patel, Priyank	3/5/2019	SHEET-8	
Certified by	Date			<b>070A4126</b>	<b>B</b>



Third angle projection



This drawing includes confidential information which is the property of ASHCROFT INC. This copy is loaned for the specific purpose, with the understanding that it will not be reproduced or used for any other purpose or disclosed to others, and it will be returned on demand.

**ASHCROFT**  
250 EAST MAIN STREET,  
STRATFORD, CT 06614

REV	ECO	DESCRIPTION	BY	DATE
A	8845	Initial Release	CMB	9/7/2016
B	9983	Changes to: Case OD, Ring ID, Wrench Flats	CMB	3/21/2019

(Pressure Connection)

Threaded Studs & Locking Nuts Included (2X)

[14mm]  
.55in  
(Square Flats)

[11.2mm]  
.44in

(Depth)

[32mm]  
1.26in

[7.4mm]  
.29in

[73.3mm]  
2.88in

3X [4.5mm]  
.18in

[77.9mm]  
Ø 3.07in

[87mm]  
Ø 3.43in

[67.9mm]  
Ø 2.68in

[57.2mm]  
Ø 2.25in

[74.5mm]  
Ø 2.93in

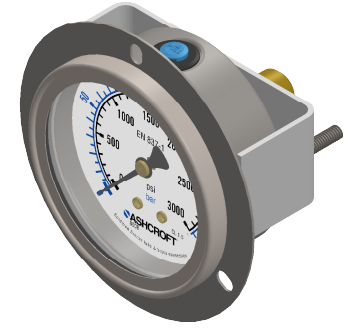
120° TYP.

**(02 Connection Shown)**

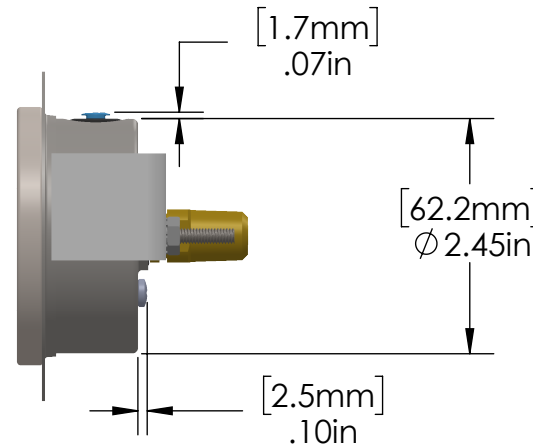
Connection Code	Pressure Connection	Depth in [mm]
01	1/8 NPT	2.23 [56.6]
02	1/4 NPT	2.39 [60.7]
13	G1/4B	2.39 [60.7]
41	M14x1.5	2.39 [60.7]
KA	1/4 BSPT	2.39 [60.7]
EJ	JIC #4	2.39 [60.7]
RW	SAE 7/16-20	2.39 [60.7]

**Recommended Panel Hole Size**

**MIN: 2.56in [65.0mm]  
MAX: 2.70in [68.0mm]**

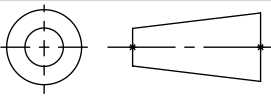


SCALE 1:2



This print certified correct for		General Dimensions			
Customer's Name		8008A Series Gauge 63mm Center Back Connection Mounting Code "8" [Panel Mount (Case) & Front Flange]			
Customer's Order No.		Drawn	Date	Date of Issue	
Ashcroft Order No.		Patel, Priyank	3/5/2019	SHEET-9	
Certified by	Date			<b>070A4126</b>	<b>B</b>

Third angle projection



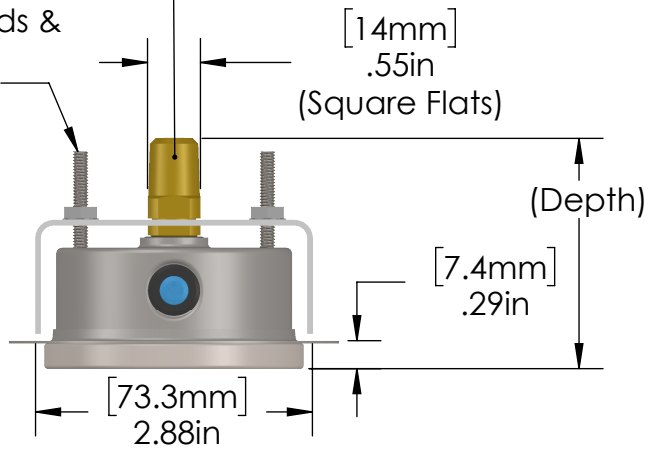
This drawing includes confidential information which is the property of ASHCROFT INC. This copy is loaned for the specific purpose, with the understanding that it will not be reproduced or used for any other purpose or disclosed to others, and it will be returned on demand.

**ASHCROFT**  
250 EAST MAIN STREET,  
STRATFORD, CT 06614

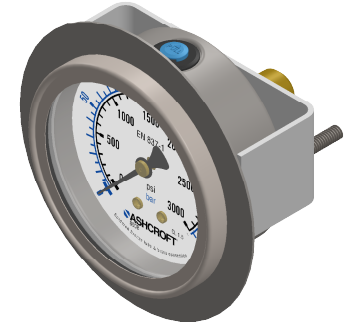
REV	ECO	DESCRIPTION	BY	DATE
A	8845	Initial Release	CMB	9/7/2016
B	9983	Changes to: Case OD, Ring ID, Wrench Flats	CMB	3/21/2019

(Pressure Connection)

Threaded Studs & Locking Nuts Included (2X)



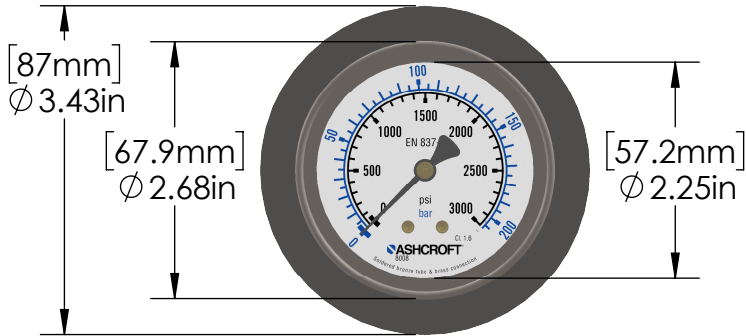
Connection Code	Pressure Connection	Depth in [mm]
01	1/8 NPT	2.23 [56.6]
02	1/4 NPT	2.39 [60.7]
13	G1/4B	2.39 [60.7]
41	M14x1.5	2.39 [60.7]
KA	1/4 BSPT	2.39 [60.7]
EJ	JIC #4	2.39 [60.7]
RW	SAE 7/16-20	2.39 [60.7]



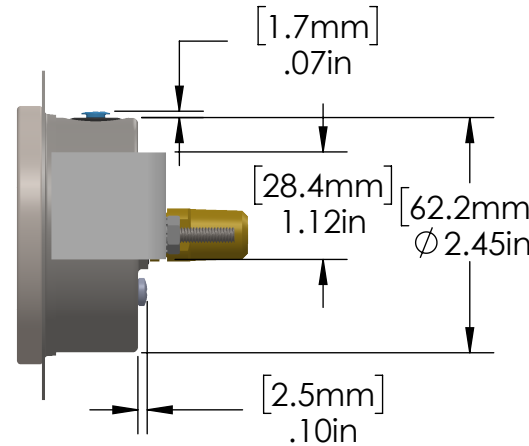
**Recommended Panel Hole Size**

SCALE 1:2

**MIN: 2.56in [65.0mm]  
MAX: 2.70in [68.0mm]**

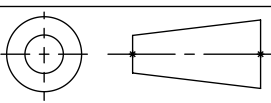


**(02 Connection Shown)**



This print certified correct for		General Dimensions			
Customer's Name		8008A Series Gauge			
		63mm Center Back Connection			
		Mounting Code "9" [Panel Mount (Case) & Trim Ring]			
Customer's Order No.		Drawn	Date	Date of Issue	
Ashcroft Order No.		Patel, Priyank	3/5/2019	SHEET-10	Rev.
Certified by	Date			<b>070A4126</b>	<b>B</b>

Third angle projection



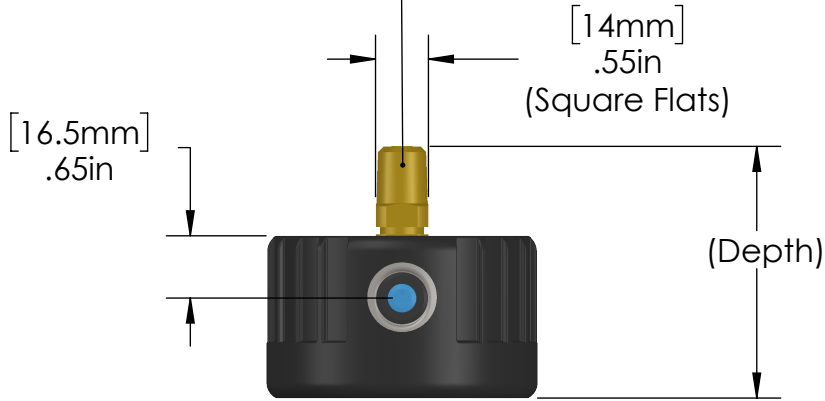
This drawing includes confidential information which is the property of ASHCROFT INC. This copy is loaned for the specific purpose, with the understanding that it will not be reproduced or used for any other purpose or disclosed to others, and it will be returned on demand.



250 EAST MAIN STREET,  
STRATFORD, CT 06614

REV	ECO	DESCRIPTION	BY	DATE
A	8845	Initial Release	CMB	9/7/2016
B	9983	Changes to: Case OD, Ring ID, Wrench Flats	CMB	3/21/2019

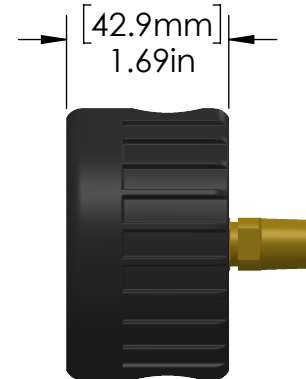
(Pressure Connection)



Connection Code	Pressure Connection	Depth in [mm]
01	1/8 NPT	2.45 [62.3]
02	1/4 NPT	2.62 [66.5]
13	G1/4B	2.62 [66.5]
41	M14x1.5	2.62 [66.5]
KA	1/4 BSPT	2.62 [66.5]
EJ	JIC #4	2.62 [66.5]
RW	SAE 7/16-20	2.62 [66.5]



SCALE 1:2



**(02 Connection Shown)**

This print certified correct for		General Dimensions			
Customer's Name		8008A Series Gauge 63mm Center Back Connection XB1 (Black Rubber Boot)			
Customer's Order No.		Drawn	Date	Date of Issue	
Ashcroft Order No.		Patel, Priyank	3/5/2019	SHEET-11	Rev.
Certified by	Date			<b>070A4126</b>	<b>B</b>