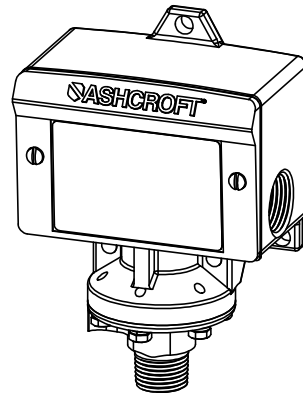
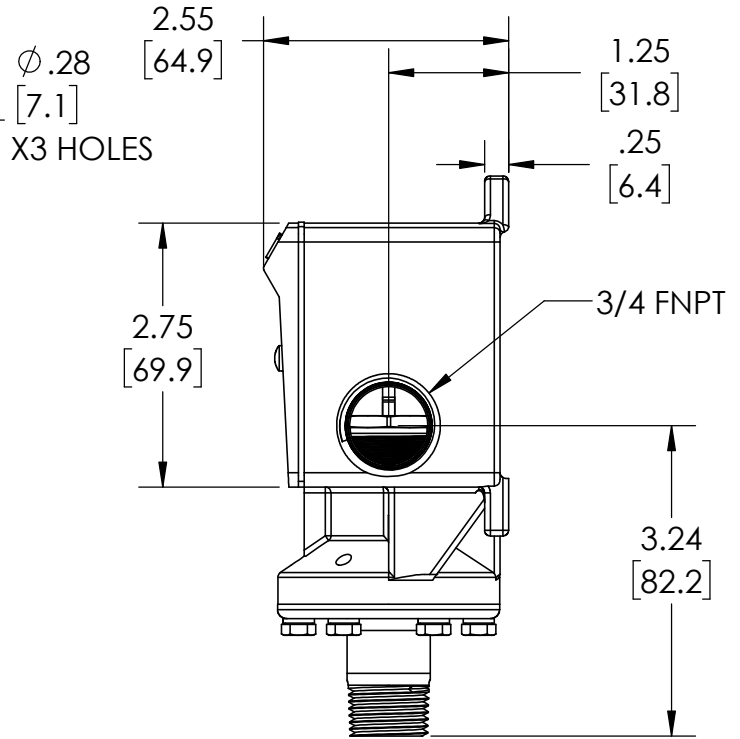
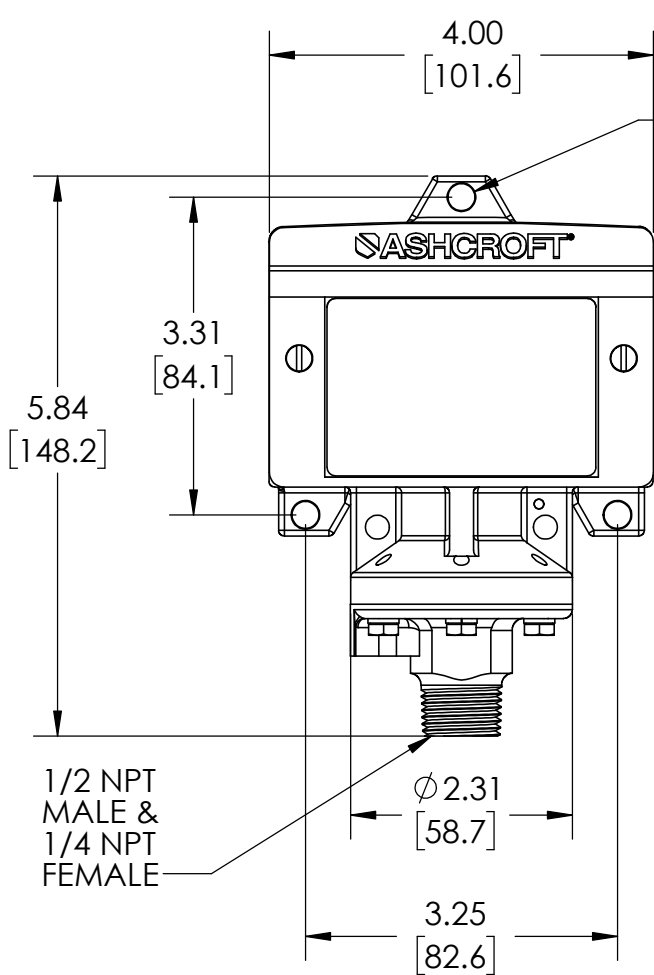


This drawing includes confidential information which is the property of ASHCROFT INC. This copy is loaned for a specific purpose, with the understanding that it will not be reproduced or used for any other purpose or disclosed to others, and it will be returned on demand.

ASHCROFT® INC.

250 EAST MAIN STREET
STRATFORD, CT 06614



NOTE:
SINGLE & DUAL ELEMENT HERMETICALLY SEALED SWITCHES ARE SUPPLIED WITH A SET OF 12" 18 GA. LEADS.
ALL OTHER DUAL ELEMENT SWITCHES ARE SUPPLIED WITH A SET OF 6" 18 GA. LEADS FOR THE REAR MOUNTED SWITCH ONLY.

DIMENSIONS IN [] ARE MILLIMETERS

APPLICABLE SWITCH PRODUCT CODES				
SWITCH TYPE	SWITCH ELEMENT	SEAL MATERIAL	VARIATIONS	RANGE
B4	-	B, T, V	X06	VAC - 600 PSI

REV.	ECO	DESCRIPTION	BY	DATE
C	8670	CORRECTED ELECTRICAL CONNECTION THREAD SIZE	RGH	4/15/2016

This print certified correct for
Customer's Name

General Dimensions
B4 PRESSURE SWITCH
BUNA, TEFLON, VITON DIAPHRAGM MAT'L
RANGES VAC - 600PSI - X06

Customer's Order No.
Ashcroft Order No.
Certified by _____ Date _____

Drawn	HOY	Date	4/1/15	Date of Issue
Checked	TB	Date	4/1/15	SHEET-1
Approved	SSH	Date	4/1/15	70A4003
				Rev. C