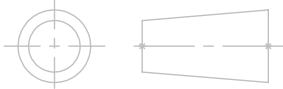


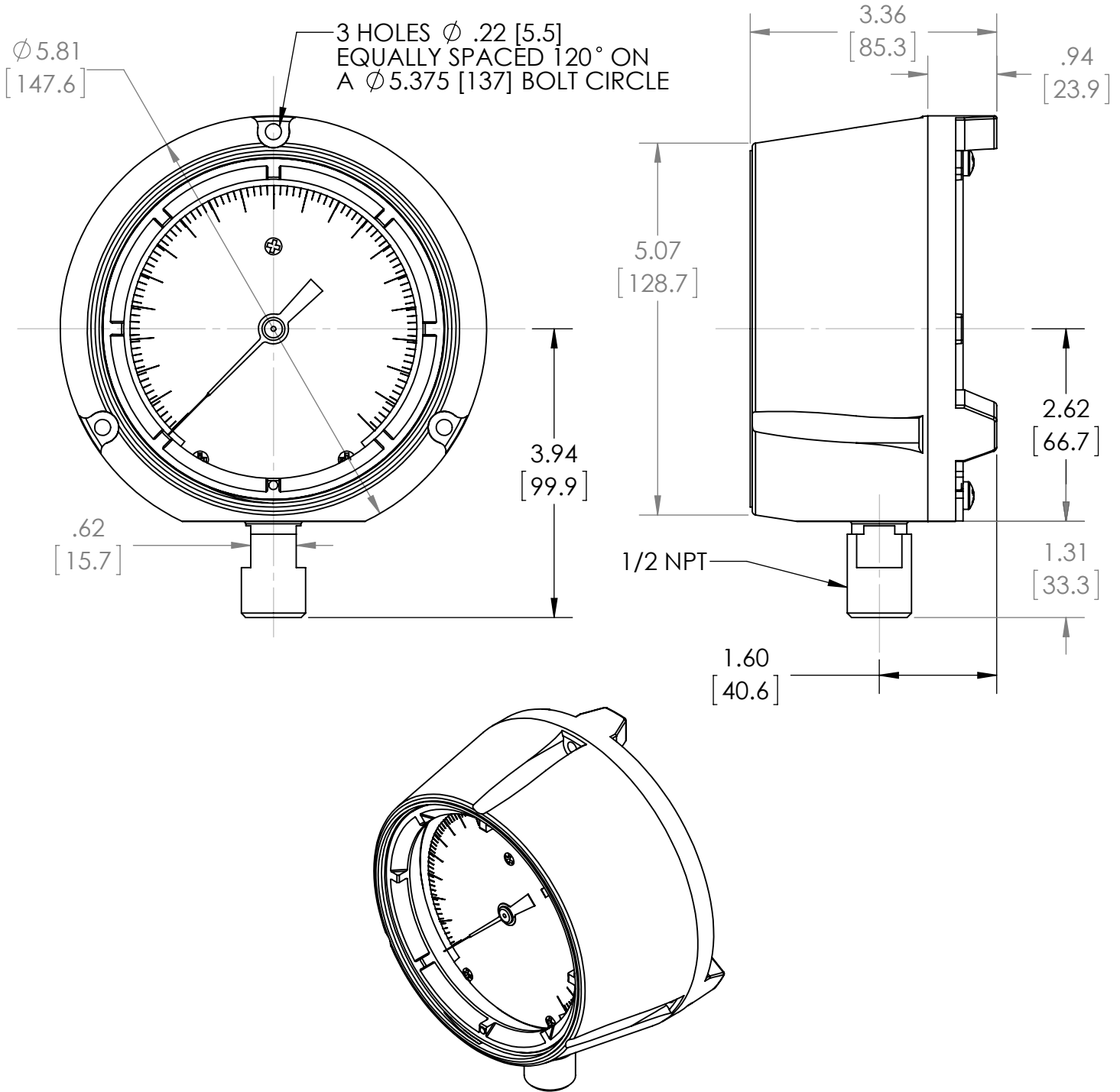
Third angle projection



This drawing includes confidential information which is the property of ASHCROFT INC. This copy is loaned for a specific purpose, with the understanding that it will not be reproduced or used for any other purpose or disclosed to others, and it will be returned on demand.

ASHCROFT® INC.

250 EAST MAIN STREET
STRATFORD, CT 06614



REV	ECO	DESCRIPTION	BY	DATE
A	6335	INITIAL RELEASE	JDB	3/25/2013

This print certified correct for		GENERAL DIMENSIONS			
Customer's Name		45 1082 04L XTY SERIES			
		TURRET CASE TEST GAUGE			
Customer's Order No.	Drawn JDB	Date 3/25/2013	Date of Issue		
Ashcroft Order No.	Checked	Date	SHEET-1		Rev.
Certified by	Date	Approved	Date	70A3973	A