

Data Sheet

N5500 Low Pressure Capsule Gauge

FEATURES

- Designed for use with air or gas service
- Stainless steel construction
- Suitable for corrosive environments
- Overpressure protection up to 10 times range
- Easy zero adjustment through dial
- Weatherproof IP65 case

TYPICAL USES

- Oil & gas
- Chemical and petrochemical
- Air conditioning
- Food and beverage
- Vacuum pumps
- Gas measurement, burners
- Leak detection



N5500
100 mm, 160 mm dial size



SPECIFICATIONS

Accuracy:	1.6% of span (STD.), 1% of span (OPT.)
Size:	100 mm, 160 mm
Zero Adjustment:	At the front
Range:	-250 IW to 250 IW
Process Connection Location:	Lower, center back
Process Connection Size:	¼ NPT Male, ⅜ NPT Male, ½ NPT Male, G ¼ B Male, G ⅜ B Male, G ½ B Male
Case Style:	Open front with rear blow out disk and ventable fill plug on top
Movement:	304 Stainless steel
Window Material:	Glass (STD.), acrylic, safety glass (OPT.)
Capsule Material:	316Ti Stainless steel
Dial:	Aluminum, white background, black figures and intervals
Pointer:	Aluminum black
Weather Protection:	IP54, IP65 if vent valve closed (acc. to EN 60 529/IEC 529)
Mounting:	Stem (STD.), flush and surface (OPT.)

WETTED COMPONENTS

Capsule	Process Connection	Other
316Ti SS	316 Stainless steel	O-Ring NBR, Shore A 70+/5, Thread Locker

NON-WETTED COMPONENTS

Case	Bayonet Ring	Window
304 SS (STD.)	304 SS (STD.)	Glass (STD.)
316L SS (OPT.)	316L SS (OPT.)	Safety glass, acrylic (OPT.)

KEY BENEFITS

- Robust socket to case weld for system integrity
- All stainless steel construction for corrosion resistance
- IP65 for use outdoors or humid environments
- Superior overpressure capability to 10X full scale range with XHP option

MIN/MAX TEMPERATURE LIMITS

Version	Ambient	Process	Storage
Dry	13 °F to 140 °F (-25 °C to 60 °C)	-13 °F to 212 °F (-25 °C to 100 °C)	-40 °F to 40 °F (-40 °C to 60 °C)

Data Sheet

N5500 Low Pressure Capsule Gauge

ORDERING CODE	Example:	10N5500	S	D	04	L	10IW	XYW
Dial Size/Model Code								
10N5500 - 100 mm open front capsule pressure gauge		10N5500						
16N5500 - 160 mm open front capsule pressure gauge								
System (capsule and process connection)								
S - 316Ti stainless steel			S					
Case Design								
D - Dry case				D				
L - Liquid filled case, glycerin (STD.), (for ranges ≥ 40 IW only)								
Process Connection Sizes								
02 - ¼ NPT Male								
03 - ⅜ NPT Male								
04 - ½ NPT Male					04			
13 - G ¼ NPT Male								
14 - G ⅜ B Male								
15 - G ½ Male								
16 - M20 x 1.5 Male								
Process Connection Location								
B - Back								
L - Lower						L		
Range (coding example only, see range table on page 3 for all standard ranges)								
10IW - 10 Inches of water							10IW	
Options (for more options, see table 2 on page 4)								
YW - Case and ring material stainless steel 316L (1.4404)								YW

N5500 Low Pressure Capsule Gauge

TABLE 1 - STANDARD RANGES

Other ranges and engineering units available

psi	inH2O	mbar	bar	kPa	Mpa	kg/cm2	mmH2O	cmH2O	mmHg	inHg
-4/4#	-125/125IW	-300/300MB	-0.3/0.3BR	-30/30KP	-0.03/0.03MP	-0.3/0.3KSC	-3000/3000MW	-300/300CW	-250/250MM	-8/8IM
-3/3#	-75/75IW	-200/200MB	-0.2/0.2BR	-20/20KP	-0.02/0.02MP	-0.2/0.2KSC	-2000/2000MW	-200/200CW	-160/160MM	-6/6IM
-2/2#	-50/50IW	-125/125MB	-0.125/0.125BR	-12.5/12.5KP	-0.012/0.012MP	-0.125/0.125KSC	-1250/1250MW	-125/125CW	-100/100MM	-4/4IM
-1.25/1.25#	-30/30IW	-80/80MB	-0.08/0.08BR	-8/8KP	-0.06/0.06MP	-0.08/0.08KSC	-800/800MW	-80/80CW	-60/60MM	-2.5/2.5IM
-8/0#	-20/20IW	-50/50MB	-0.05/0.05BR	-5/5KP	-0.04/0.04MP	-0.05/0.05KSC	-500/500MW	-50/50CW	-40/40MM	-1.5/1.5IM
-6/0#	-12.5/12.5IW	-30/30MB	-0.6/0.6BR	-3/3KP	-0.025/0.025MP	-0.6/0.6KSC	-300/300MW	-30/30CW	-25/25MM	-0.8/0.8IM
-2.5/0#	-8/8IW	-20/20MB	-0.4/0.4BR	-2/2KP	-0.016/0.016MP	-0.4/0.4KSC	-200/200MW	-20/20CW	-16/16MM	-0.6/0.6IM
-1.5/0#	-5/5IW	-12.5/12.5MB	-0.25/0.25BR	-1.25/1.25KP	-0.01/0.01MP	-0.25/0.25KSC	-125/125MW	-12.5/12.5CW	-10/10MM	-0.4/0.4IM
-1/0#	-250/0IW	-8/8MB	-0.16/0.16BR	-0.8/0.8KP	0.01MP	-0.16/0.16KSC	-80/80MW	-8/8CW	-500/0MM	-0.25/0.25IM
1#	-150/0IW	-600/0MB	-0.1/0.1BR	-60/0KP	0.016MP	-0.1/0.1KSC	-6000/0MW	-600/0CW	-300/0MM	-16/0IM
1.5#	-100/0IW	-400/0MB	-0.06/0.06BR	-40/0KP	0.025MP	-0.06/0.06KSC	-4000/0MW	-400/0CW	-200/0MM	-12/0IM
2.5#	-60/0IW	-250/0MB	0.06BR	-25/0KP	0.04MP	0.06KSC	-2500/0MW	-250/0CW	-125/0MM	-8/0IM
4#	-40/0IW	-160/0MB	0.1BR	-16/0KP	0.06MP	0.1KSC	-1600/0MW	-160/0CW	-75/0MM	-5/0IM
6#	-25/0IW	-100/0MB	0.16BR	-10/0KP		0.16KSC	-1000/0MW	-100/0CW	-50/0MM	-3/0IM
8#	-15/0IW	-60/0MB	0.25BR	-6/0KP		0.25KSC	-600/0MW	-60/0CW	-30/0MM	-1.6/0IM
	-10/0IW	-40/0MB	0.4BR	-4/0KP		0.4KSC	-400/0MW	-40/0CW	-20/0MM	-1.2/0IM
	-6/0IW	-25/0MB	0.6BR	-2.5/0KP		0.6KSC	-250/0MW	-25/0CW	-12/0MM	-0.8/0IM
	6IW	-16/0MB		-1.6/0KP			-160/0MW	-16/0CW	12MM	-0.5/0IM
	10IW	16MB		1.6KP			160MW	16CW	20MM	0.5IM
	15IW	25MB		2.5KP			250MW	25CW	30MM	.08IM
	25IW	40MB		4KP			400MW	40CW	50MM	1.2IM
	40IW	60MB		6KP			600MW	60CW	75MM	1.6IM
	60IW	100MB		10KP			1000MW	100CW	125MM	3IM
	100IW	160MB		16KP			1600MW	160CW	200MM	5IM
	150IW	250MB		25KP			2500MW	250CW	300MM	8IM
	250IW	400MB		40KP			4000MW	400CW	500MM	12IM
		600MB		60KP			6000MW	600CW		16IM

Other ranges and engineering units available upon request

N5500 Low Pressure Capsule Gauge
TABLE 2 - OPTIONS

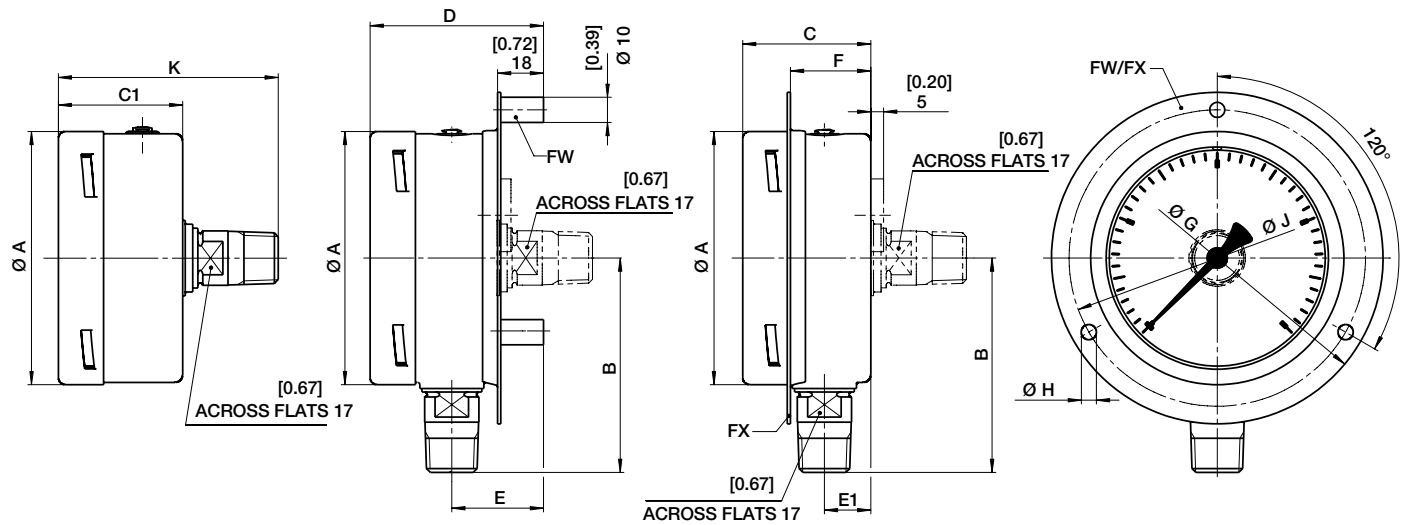
Code	Description	Notes
AN	1% Accuracy	Not available for ranges below 10IW
DA	Dial marking	Information is required by the customer
FW	Wall mounting bracket	
FX	Front flange tack welded to case	
GV	Silicone case fill	
HP	Overpressure protection 10-times F.S.	Maximum protection up to 30 psi Not available for ranges below 10IW and vacuum or compound ranges
5G	Instrument assembled to accessory	
MQ	Positive material certificate (PMI)	
NH	Stainless steel tag wired to case	Information is required by the customer
PD	Polycarbonate window	
SG	Safety glass	
UF	U-clamp with front flange tack welded to ring	
YW	Case and ring material stainless steel 316L (1.4404)	
E6	Dial pin in 6 o'clock position	
C3	Certificate according to EN 10204 3.1 C3	
C4	Traceable calibration certificate	
6W	Cleaned "free of oil and grease"	Not for oxygen service

Data Sheet

N5500 Low Pressure Capsule Gauge

DIMENSIONS in [] are decimal inches

For reference only, consult Ashcroft for specific dimensional drawings.



Dial Size	A	B	C	C1	D	E	E1	F	G	H	J	K	Weight
100 mm	[3.97]	[3.36]	[2.01]	[1.95]	[2.72]	[1.44]	[0.73]	[1.26]	[5.20]	[0.24]	[4.65]	[3.44]	1.8 lbs
	101	85	51	49.5	69	18.5	18.5	32	132	6	118	87.5	
160 mm	[6.35]	[4.54]	[1.96]	[1.89]	[2.76]	[1.47]	[0.67]	[1.22]	[7.72]	[0.24]	[7.01]	[3.39]	2.0 lbs
	161	115	50	48	70	37	17	31	196	6	178	86	