

GC35 Pressure Transducer

FEATURES

- All stainless steel wetted materials
- Simple “push-button” configurability allows user to adjust switch settings and analog scaling
- Rugged aluminum housing
- Switch options available
- Scaleable analog output
- Easy to read display
- GloBand™ display provides 360° visibility

TYPICAL USES

- Hydraulic presses
- Stamping equipment
- Water/wastewater pressure control
- Refrigerant/ammonia based cooling systems
- Pressure monitoring for lifts, vulcanizers and lubrication systems
- Alarm, control and pressure monitoring
- Cooling and lubricating systems



GC35
Pressure Transducer



PERFORMANCE SPECIFICATIONS

Reference Temperature:	74 °F (23 °C)
Analog Output:	4-20 mA
Accuracy:	±1.0% of span (URL) Includes the effects of linearity, hysteresis, repeatability, zero offset and span setting errors
Response Time:	30 ms-10 sec (selectable)
Output Resolution:	±0.05% of span
Analog Scaling:	User may configure analog output scaling to any range within -10% to 110% F.S. of the sensor range

Pressure Switch Output:

Model:	NPN/PNP, open collector up to 80 mA
Setting Accuracy:	±1.0% of span (URL)
Response Time:	5 ms-10 sec (by user)
Hysteresis:	Variable deadband (by user)
Switch Setting:	User may adjust switch actuation and deadband to any points within F.S. sensor range
Switch Contacts:	User selectable NPN or PNP open collector outputs NPN Type: 30 Vdc / 80 mA (Max.) PNP Type: Supply Voltage 80 mA (Max.) Voltage Drop: 1 Vdc (Max.)

Displays:

Type:	4 digit, 8 mm LED
Accuracy:	±1.0% span (URL) + last digit

Display Update Rate:	200 ms-10 sec (selectable)
----------------------	----------------------------

KEY BENEFITS

- Compact footprint
- Field-proven thin film sensor
- High over-pressure capability

Display Setting: User may re-configure display scaling, set to capture MIN or MAX value and adjust display update rate user defined units of measure setting range from -1,999 to 9,999

ENVIRONMENTAL SPECIFICATIONS

Temperature Limits:	Storage: -4 °F to 158 °F (-20 °C to 70 °C) Operating: -4 °F to 158 °F (-20 °C to 70 °C) Compensated: -4 °F to 158 °F (-20 °C to 70 °C)
Temperature Effects: (ref. 23°C)	Zero/Span: ±0.1% of span/°C
Humidity:	0-85% RH (Ranges 150 psi & below) 0-100% RH (Ranges 300 psi & above)

FUNCTIONAL SPECIFICATIONS

Overpressure:	Proof:	Burst:
≤1,500 psi	4 X Range (URL)	10 X Range (URL)
>1,500 to ≤3,000 psi	2.5 X Range (URL)	5 X Range (URL)
≤5,000 psi	2.5 X Range (URL)	3 X Range (URL)

Withstand Voltage:	350 Vac, 1 minute
--------------------	-------------------

Insulation Voltage:	50 Vdc, 100 MV min
---------------------	--------------------

Data Sheet

GC35 Pressure Transducer

Stability:	±0.25% of span/year
CE Compliance:	EN61326-1: 2006, EN61326-2-3: 2006 EU RoHS Compliance

ELECTRICAL SPECIFICATIONS

Power Supply Requirements:

Supply Voltage:	16-36 Vdc (with analog output option) 11-36 Vdc (switch output version only)
-----------------	---

Current Consumption:	50 mA dc (Max.)
----------------------	-----------------

PHYSICAL SPECIFICATIONS

Weight:	Approx. 150 grams
---------	-------------------

Pressure Connection:	¼ NPT Male
----------------------	------------

Connection Location:	Lower, back
----------------------	-------------

WETTED MATERIAL

Diaphragm	Process Connection	Media Compatibility
17-4PH® Stainless steel	316 Stainless steel	Fluids and gases compatible with 316 SS (sensor housing) and 17-4PH® SS (sensor diaphragm)

NON-WETTED

Housing	
Nickel plated aluminum	
Environmental Rating:	IP65 (ranges 150 psi and below); IP67 (ranges 300 psi and above)
Electrical Connection:	M12 connector (4 pin)

OPTIONAL FEATURES

Calibration Report:	Traceable calibration certificate
---------------------	---

ORDERING CODE	Example:	GC35	7	M02L	41	EW	50#	-XRH
Model		GC35						
GC35 - indicating pressure transmitter w/ switch output		GC35						
Accuracy			7					
7 - ±1.0%			7					
Connection/Location Size				M02L				
M02L - ¼ NPT Male w/ lower connect				M02L				
M02B - ¼ NPT Male w/ back connect								
Output Signal					41			
41 - 4-20 mA & 1X switch					41			
N2 - 2X switch (no 4-20 mA)								
Electrical Connection						EW		
EW - M12 Type (4 pin)						EW		
Ranges							50#	
50#G - 0 - 50 psig							50#	
100#G - 0-100 psig								
150#G - 0-150 psig								
300#G - 0-300 psig								
500#G - 0-500 psig								
1000#G - 0-1,000 psig								
1500#G - 0-1,500 psig								
3000#G - 0-3,000 psig								
5000#G - 0-5,000 psig								
7000#G - 0-7,000 psig								
2000#G - 2,000 psi								
3000#G - 3,000 psi								
5000#G - 5,000 psi								
7500#G - 7,500 psi								
Compound								
75#&V - Vac.-75 psig								
150#&V - Vac.-150 psig								
300#&V - Vac.-300 psig								
Option (if including an option(s) must include an "X")								X_
RH - Traceable calibration certificate (analog output)								RH
C4 - Traceable calibration certificate (digital display)								

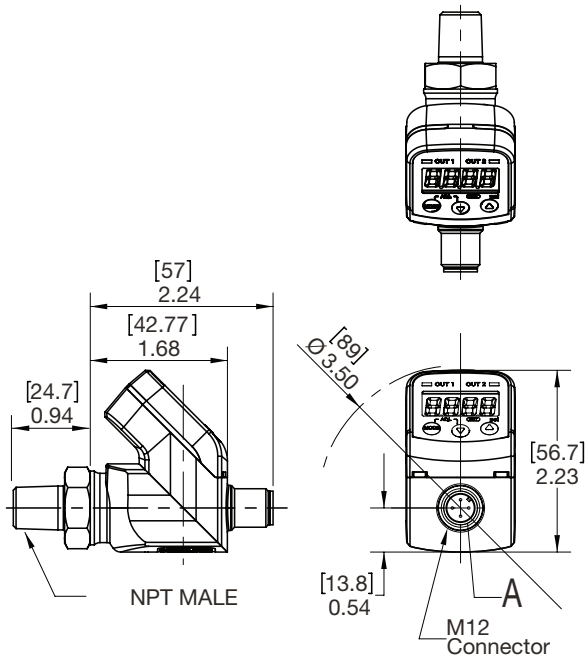
Data Sheet

GC35 Pressure Transducer

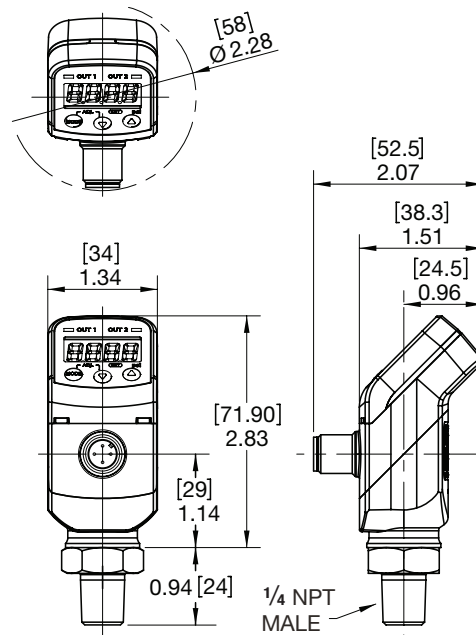
DIMENSIONS in [] are millimeters

For reference only, consult Ashcroft for specific dimensional drawings

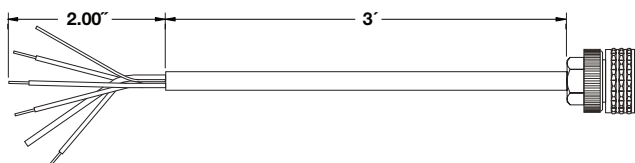
Back Connect

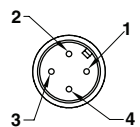


Lower Connect



M12 Mating Connector Drawing 611C175-03 (90° Right Angle)



Wiring/Pin Out	2 Switch (No 4-20 mA)	1 Switch w/4-20 mA Analog Output	Pin 611C175 Cable Wiring color	
	1	Power (+)	Power (+)	Red
	2	Out 2	Analog (+) Output	White
	3	Power (-)	Power (-) Analog Output	Green
	4	Out 1	Out 1	Black