

Data Sheet

GC30 Differential Pressure Transducer

FEATURES

- Combination of digital pressure gauge, switch and transducer
- Simple “push-button” configurability allows user to adjust switch settings, analog scaling
- Numerous standard ranges available

TYPICAL USES

- Filter monitoring
- Clean room pressure differential
- Vacuum/Suction pressure sensing & control
- Fan speed control
- Alarm and control



GC30
Differential Pressure Transducer



PERFORMANCE SPECIFICATIONS

Reference Temperature:	73 °F (23 °C)
Analog Output:	1-5 Vdc
Accuracy:	±1.5% of span Accuracy linearity, hysteresis and repeatability (URL)
Response Time:	50 ms
Output Resolution:	25 mV
Analog Scaling:	User may configure analog output scaling to any range within F.S. of sensor range

Pressure Switch Output:

Type:	NPN/PNP open collector up to 30 Vdc/80 mA
Setting Accuracy:	±1.5% of span (URL)
Number of Contacts:	2
Time Delay:	5 ms-2 sec (selectable)
Hysteresis:	Variable deadband (by user)
Switch Setting:	User may adjust switch actuation and dead-band to any points within full scale sensor range

Display:

Type:	3½ digit, 10 mm LED
Accuracy:	±1.5% of span + last digit (URL)
Display Setting:	User may re-configure display scaling, set to capture MIN or MAX value, and adjust display update rate

ENVIRONMENTAL SPECIFICATIONS

Temperature Effects: (ref. 73°F (23°C))	Zero/Span: ±0.09%/°F (±0.15%/°C): ±2.5" W.C., 0/2.5" W.C. and below ±0.06%/°F (±0.10%/°C): ±5.0" W.C., 0/5.0" W.C. and above
Temperature Limits:	Storage: -22 °F to 140 °F (-30 °C to 60 °C) Operating: -4 °F to 140 °F (-20 °C to 60 °C) Compensated: 14 °F to 122 °F (-10 °C to 50 °C)
Humidity:	0-85% RH, Non-condensing

KEY BENEFITS

- Ultra-compact design
- User may configure analog output scaling to any range within full scale of sensor range.

FUNCTIONAL SPECIFICATIONS

Max Static Pressure:	Proof:	Burst:
(Line)	7.5 psid	25 psig
7.5 psi (50 kPa)	(50 kPa)	(170 kPa)

CE Compliance	EN61326-1 2006, EN61326-2-3 2006
---------------	----------------------------------

ELECTRICAL SPECIFICATIONS

Power Supply Requirements:

Supply Voltage:	11-27 Vdc
Current Consumption:	30 mA (Max.)

Switch Contacts:

(2) NPN or PNP open collector outputs	
NPN:	30 Vdc / 80 mA (Max.)
PNP:	Voltage drop 1 Vdc (Max.) / 80 mA (Max.)

Data Sheet

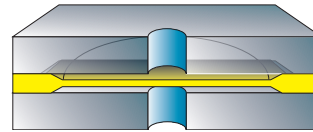
GC30 Differential Pressure Transducer

PHYSICAL SPECIFICATIONS

Pressure Connection Size:	4 mm barb
Environmental Rating:	IP40
Weight:	Approx. 75 grams
Mounting:	Panel mounting bracket included
Electrical Connection:	6' cable pigtail

Featuring a highly reliable variable capacitance sensor using the patented Ashcroft® Si-Glass® sensor. This ultra-thin single crystal diaphragm provides inherent sensor repeatability and stability.

SENSOR CROSS SECTION



The silicon diaphragm sensor has no glues or other organics to contribute to drift or mechanical degradation over time.

WETTED MATERIAL

Media

Clean, dry air/gas compatible with Aluminum, Titanium, ABS, Ceramic, Silicon & Silicone RTV.
NOT FOR USE ON LIQUIDS

NON-WETTED

Enclosure

ABS, polycarbonate, aluminum

ORDERING CODE

Example:

GC30 9 M5B 1N F4 P25IWL - XRH

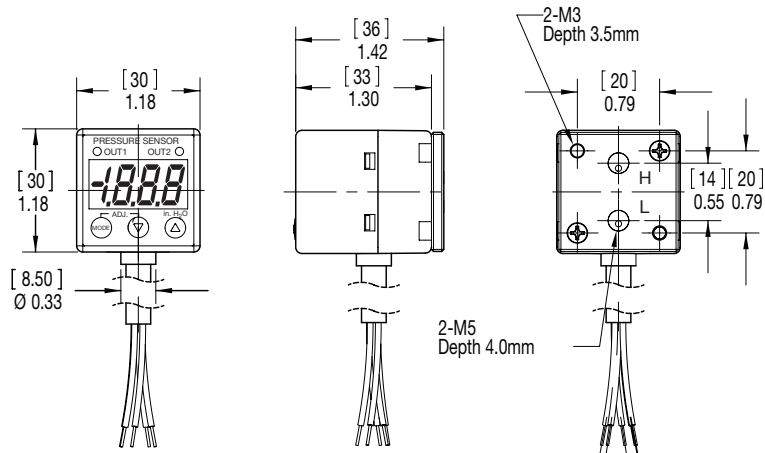
Model	GC30	9	M5B	1N	F4	P25IWL	- XRH
GC30 - Ultra-compact digital differential pressure sensor	GC30						
Accuracy		9					
9 - ±1.5% of span							
Pressure Connection			M5B				
M5B - 4mm ID Barb							
Output Signal				1N			
1N - 1-5 Vdc: Analog w/2X NPN Type switches							
1P - 1-5 Vdc: Analog w/2X PNP Type switches							
Electrical Connection					F4		
F4 - 6' (2m) cable							
Pressure Range							
Bidirectional							
P25IWL - ±0.25 IWC						P25IWL	
P5IWL - ±0.5 IWC							
1IWL - ±1.0 IWC							
2P5IWL - ±2.5 IWC							
5IWL - ±5 IWC							
10IWL - ±10 IWC							
25IWL - ±25 IWC							
Differential							
P25IW - 0.25 IWC							
P5IW - 0.5 IWC							
1IW - 1.0 IWC							
2P5IW - 2.5 IWC							
5IW - 5 IWC							
10IW - 10 IWC							
25IW - 25 IWC							
Option (if including an option(s) must include an "X")							X
RH - Traceable calibration certificate							RH

Data Sheet

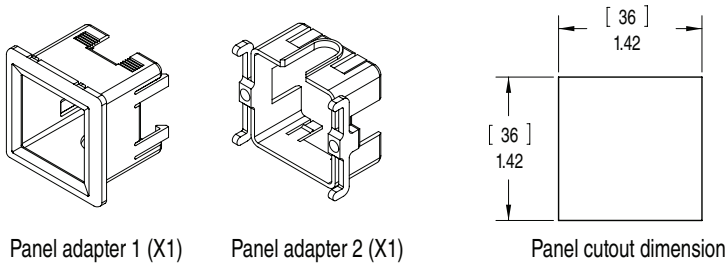
GC30 Differential Pressure Transducer

DIMENSIONS in [] are millimeters

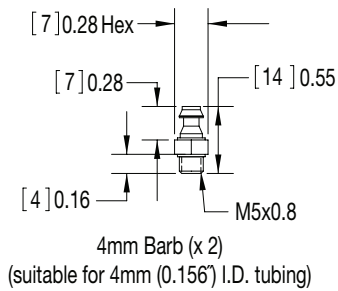
For reference only, consult Ashcroft for specific dimensional drawings



Panel Mounting Kit (included)



Barb Dimensions



Notes:

1. Unit to be shipped with panel mount adaptor in box
2. Unit to be supplied with 4mm fittings in box