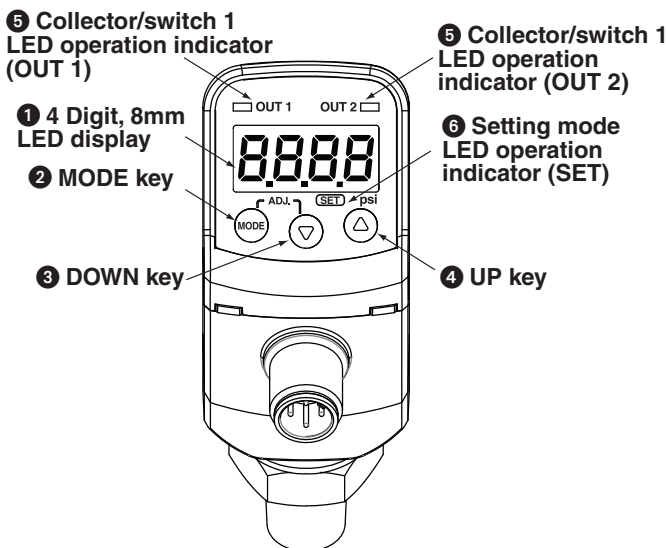


**Quick Start Function Instructions for
GC35 Heavy Duty Digital Pressure Sensor
Version 1.0 6/06/09**



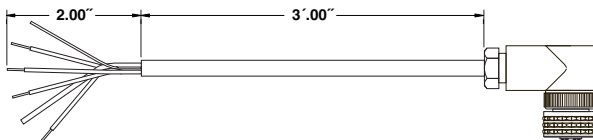
(See Complete I&M Manual for Further Detail)

DISPLAY OVERVIEW



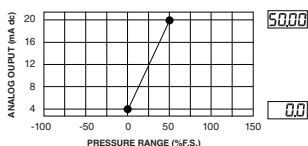
Designation	Function
1 Measurement Display	Display of pressure, linear scaling
2 Mode Key	Change to/from switch setting modes and product's settings
3 Down Key	Change selections / decrease set values
4 Up Key	Change selections / increase set values
5 Collector / Switch LED Operation Indicator (OUT1)/(OUT2)	Indicates switch state. LED indicator will be ON when switch is activated
6 Switch Setting Mode LED Operation Indicator (SET)	Identifies that the switch setting has been performed

Note: Unit requires M12 mating connector p/n# 611C175-03 (standard 3 foot length) – see below.

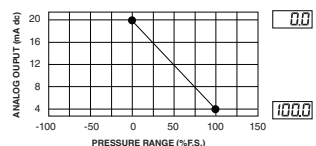


1. **Measurement Mode** is entered when applying power to the unit – LED displays applied pressure.
2. Available “**Measurement Mode**” functions:
 - A. **Zero Adjustment:** Press MODE / ∇ keys together ≥ 3 seconds. This initiates automatic zero adjustment; RdJ briefly appears on LED display and then returns to Measurement Mode.
 - B. **Peak / Bottom (Min. Max.) Hold Display:** Displayed as Δ or ∇ keys are held for more than 3 seconds and display shows $PE\pm$. Values are reset when power is restored to the unit, or:
 Reset Peak: Hold Δ key, then press ∇ key
 Reset Bottom: Hold ∇ key, then press Δ key
 - C. **Key Lock:** Prevents overwriting values / tampering – can not be reset by restoring power.
 Lock: Press MODE and Δ keys together; $L\alpha L$ appears on LED display for 1 second.
 Unlock: Press MODE and Δ keys together; $U\alpha L$ appears on LED display for 1 second.
3. **Function Setting Mode:** Used for product settings, except comparator-switch setting. Accessed by pressing MODE key for more than 3 seconds (complete menu attached).
 - A. **Comparator Selection:** Select ‘Hysteresis’ (HYS) or ‘Window Comparator’ (YN).
 Hysteresis: Switch remains activated until reset point has been achieved.
 Window Comparator: Switch activates each time pressure enters a set ‘pressure band’ determined by the A and B settings.
 - B. **Comparator Operation Selection:** Select nPN or PnP . Note: LED ring is Blue with nPN and Green with PnP .
 - C. **Filter Dampening Setting:** This is based upon a moving average of pressure data to reduce display “bounce” and smooth analog output due to system pressure fluctuations. User configurable with five selections: 25ms, 250ms, 2.5s, 5s and 10s.
 Filter will not be applied if $\bar{0}$ is selected.
 - D. **Power-Save (Energy-Saving) Setting:** Product is equipped with automatic LED display turn-off feature. User may elect to turn-on display when reading pressure or using as an indicating instrument.
 - E. **LED Ring Feature Setting:** Turns Red when comparator-switch is ON and Blue (nPN) or Green (PnP) when comparator-switch is OFF.
 - F. **Display Unit Setting:** User may alter unit of measures from standard to arbitrary.
 - G. **Display Settings:** Allows for decimal point adjustment.
 - H. **Analog Output Scaling:** Available with only 1 comparator; function sets analog output for pressures corresponding to Zero (4mA) and Span (20mA) adjustment in percentage figures.
 Analog output under zero point pressure: After $R-L$ is displayed, select the percentage corresponding with the current analog output value under Zero (4mA) using ∇ or Δ keys – when pressure range displayed is set to 0.0-100.0% FS.
 Analog output under span point pressure: After $R-H$ is displayed, select the percentage corresponding with the current analog output value under Span (20mA) using ∇ or Δ keys – when pressure range displayed is set to 0.0-100.0% FS.

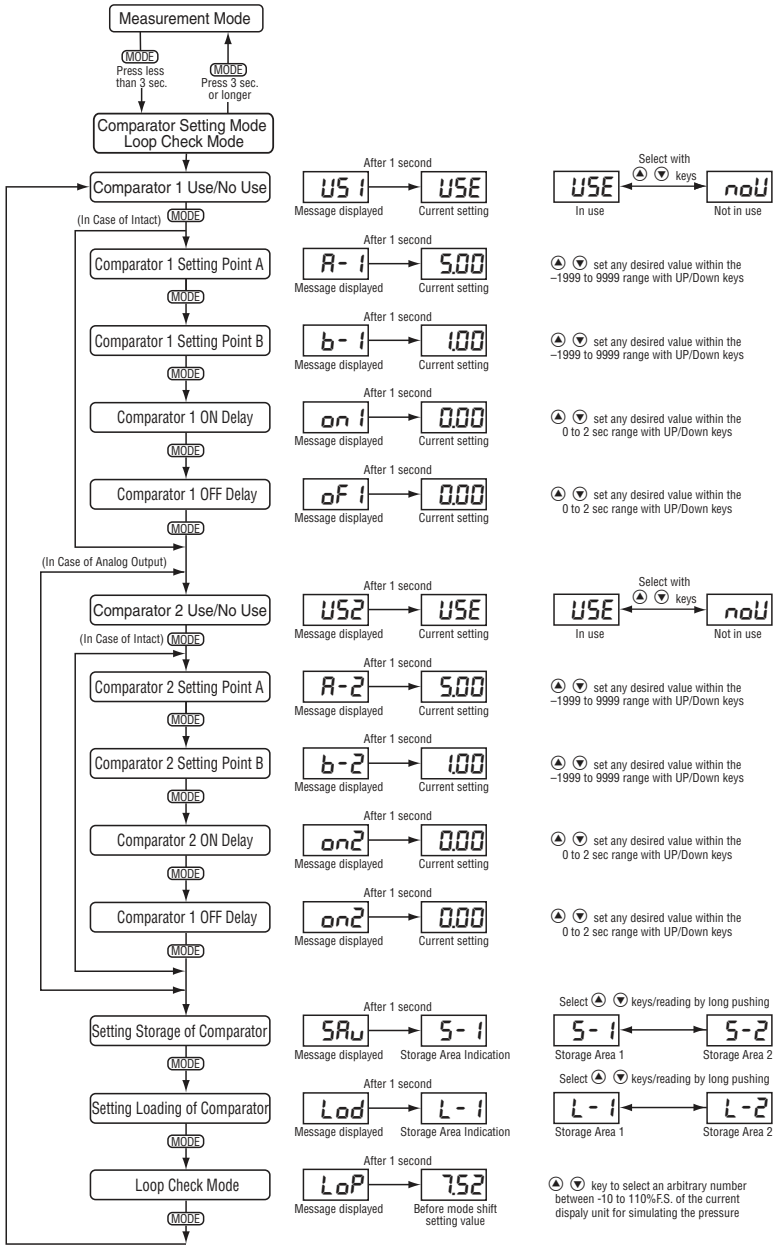
Example 1)



Example 2)



Function Setting Mode Menu



Notes: Values shown are from the example within the complete I&M manual. Changes made in the Setting Mode are saved by returning to Measurement Mode before powering off the unit.

4. Comparator-Switch / Loop Check Mode: Access by pressing MODE for less than 3 seconds.

- A. Comparator-Switch Setting:** To activate / deactivate comparator-switch, scroll to $\bar{U}5\ 1$ (4-20mA version only) or $\bar{U}5\ 2$ and select $\bar{U}5E$ / $n\bar{U}$. Enter comparator-switch set point by selecting $R-1$ or $R-2$ and use Δ/∇ keys for pressure setting. Now enter 'deadband' value (pressure difference between set and reset values) by selecting $b-1$ or $b-2$ and use Δ/∇ keys for setting. Note: unit automatically configures the reset point. Increasing setpoint is entered as a positive 'deadband' value, while decreasing setpoint is entered as a negative 'deadband' value.
- B. Loop Check:** Allows the user to check comparator-switch operation without requiring pressure input. Use Δ or ∇ keys to view comparator-switch function in a simulated test of the application.

Comparator-Switch Setting / Loop Check Menu

