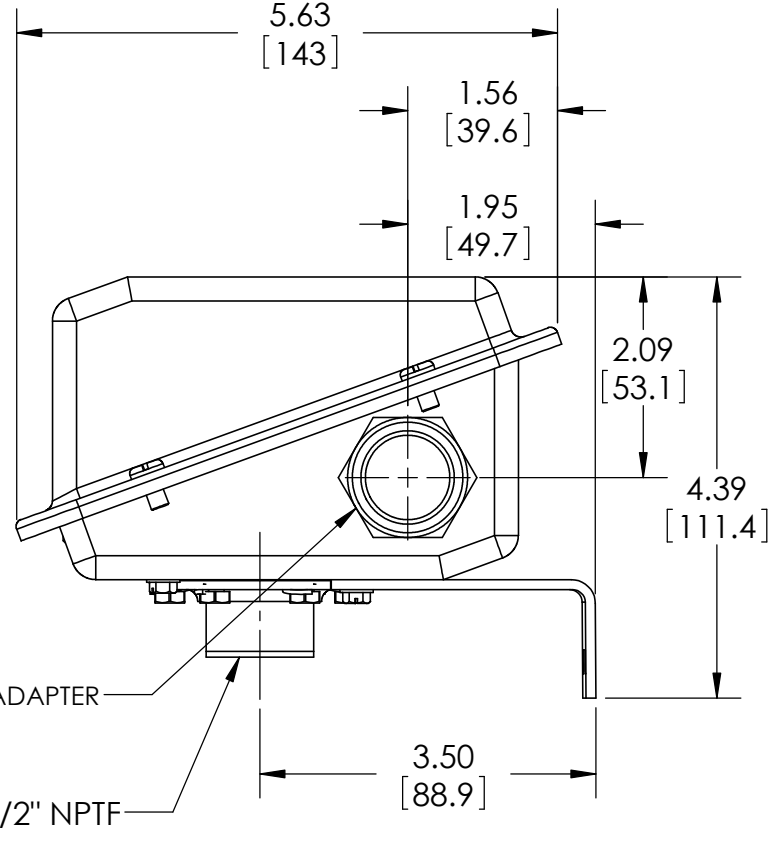
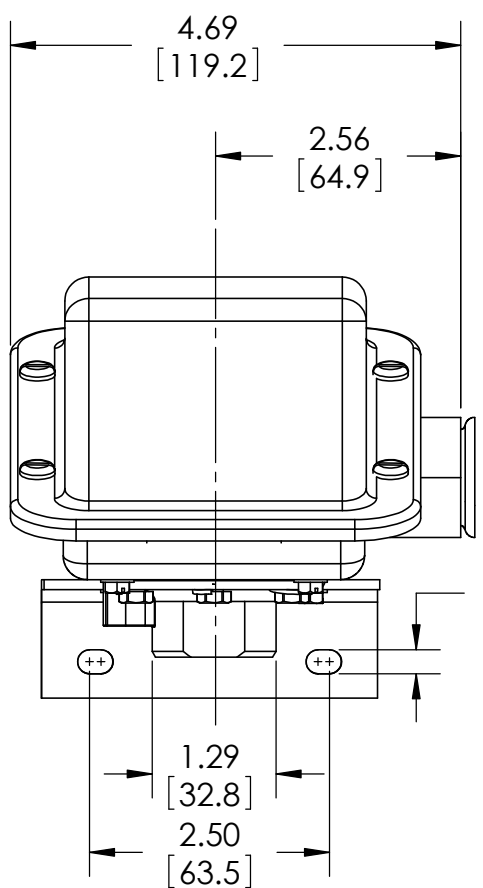




This drawing includes confidential information which is the property of ASHCROFT INC. This copy is loaned for a specific purpose, with the understanding that it will not be reproduced or used for any other purpose or disclosed to others, and it will be returned on demand.

**ASHCROFT** INC.

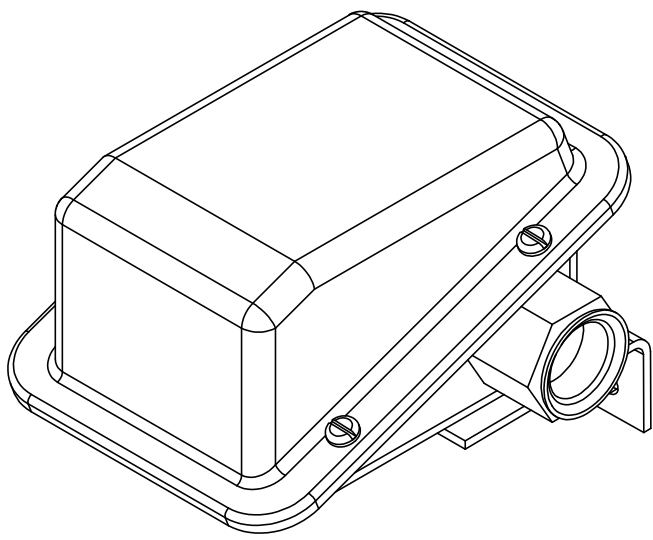
250 EAST MAIN STREET  
STRATFORD, CT 06614



.25 [6.3]

3/4" NPTF  
CONDUIT ADAPTER

1/2" NPTF



DIMENSIONS IN [ ] ARE MILLIMETERS

| REV. | ECO     | DESCRIPTION            | BY  | DATE     |
|------|---------|------------------------|-----|----------|
| A    | 0005029 | RELEASED GENERAL DIMS. | MJS | 9/3/2010 |

|                                  |           |                                                   |               |                |          |
|----------------------------------|-----------|---------------------------------------------------|---------------|----------------|----------|
| This print certified correct for |           | <b>General Dimensions</b>                         |               |                |          |
| Customer's Name                  |           | G-Series 07 Connection Pressure Switch PSI Ranges |               |                |          |
| Customer's Order No.             | Drawn MJS | Date 9/3/10                                       | Date of Issue |                |          |
| Ashcroft Order No.               | Checked   | Date                                              | SHEET-1       | Rev.           |          |
| Certified by                     | Date      | Approved                                          | Date          | <b>70A3449</b> | <b>A</b> |